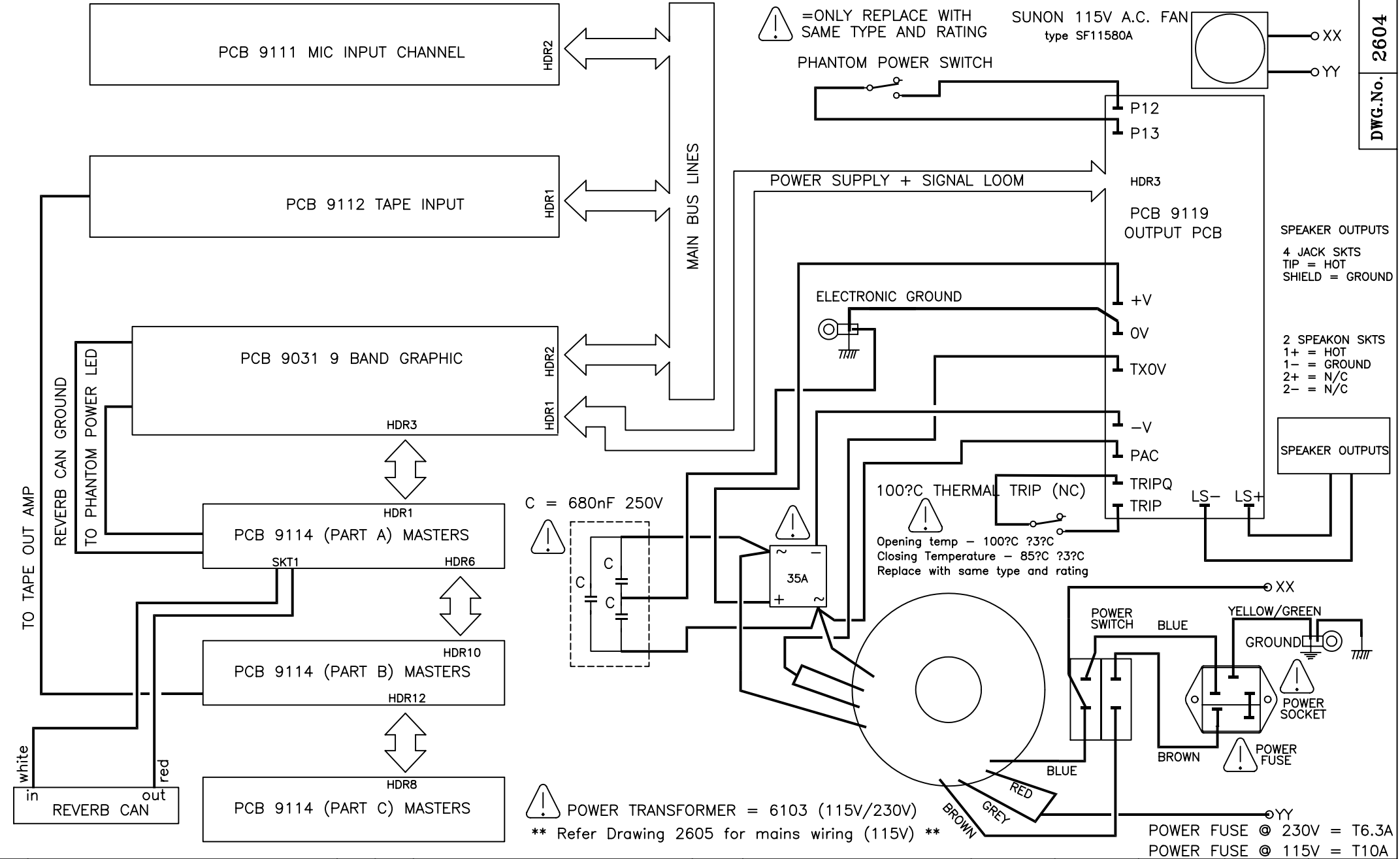


Laney

Service Diagrams



ISSUE	DESCRIPTION	APPD.	DATE

BLT
Industries Ltd.

CR400 SYSTEM
BLOCK DIAGRAM
 PART No

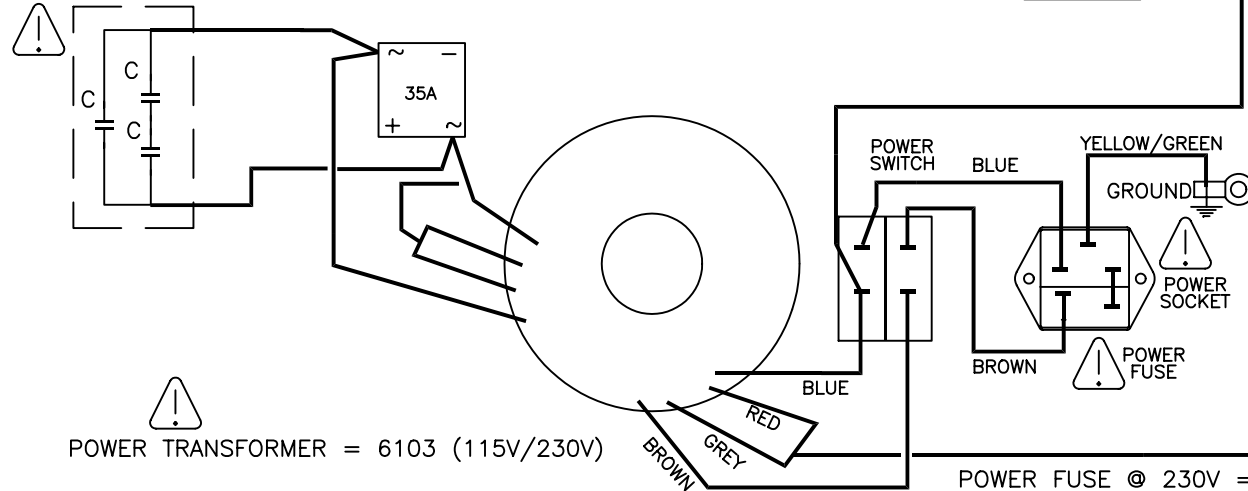
DRAWN	TRACED	CHECKED	APPROVED	DATE
R.J.F				20/03/97
DRAWING No.		2604		

⚠ = ONLY REPLACE WITH SAME TYPE AND RATING

FOR FULL DETAILS OF SECONDARY WIRING SEE DWG 2604

SUNON 115V A.C. FAN
type SF11580A

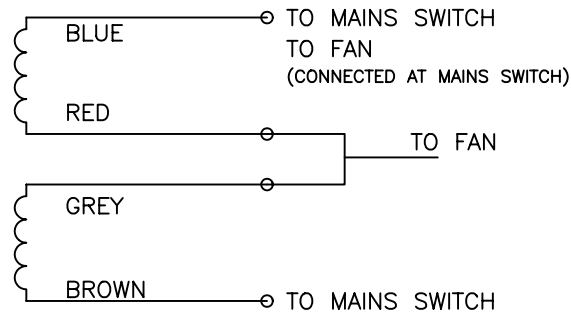
C = 680nF 250V



POWER TRANSFORMER = 6103 (115V/230V)

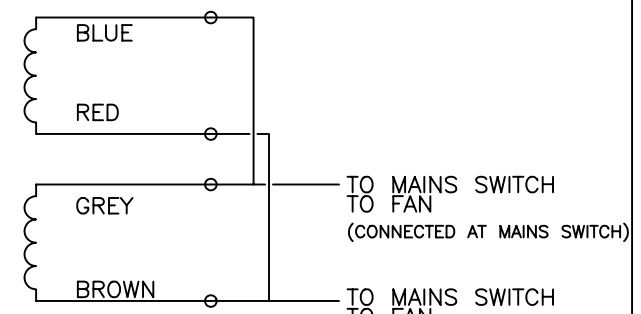
POWER FUSE @ 230V = T6.3A
POWER FUSE @ 115V = T10A

PRIMARY WIRING FOR 220V – 240V OPERATION



TRANSFORMER PART = 6103

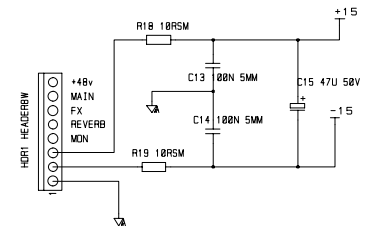
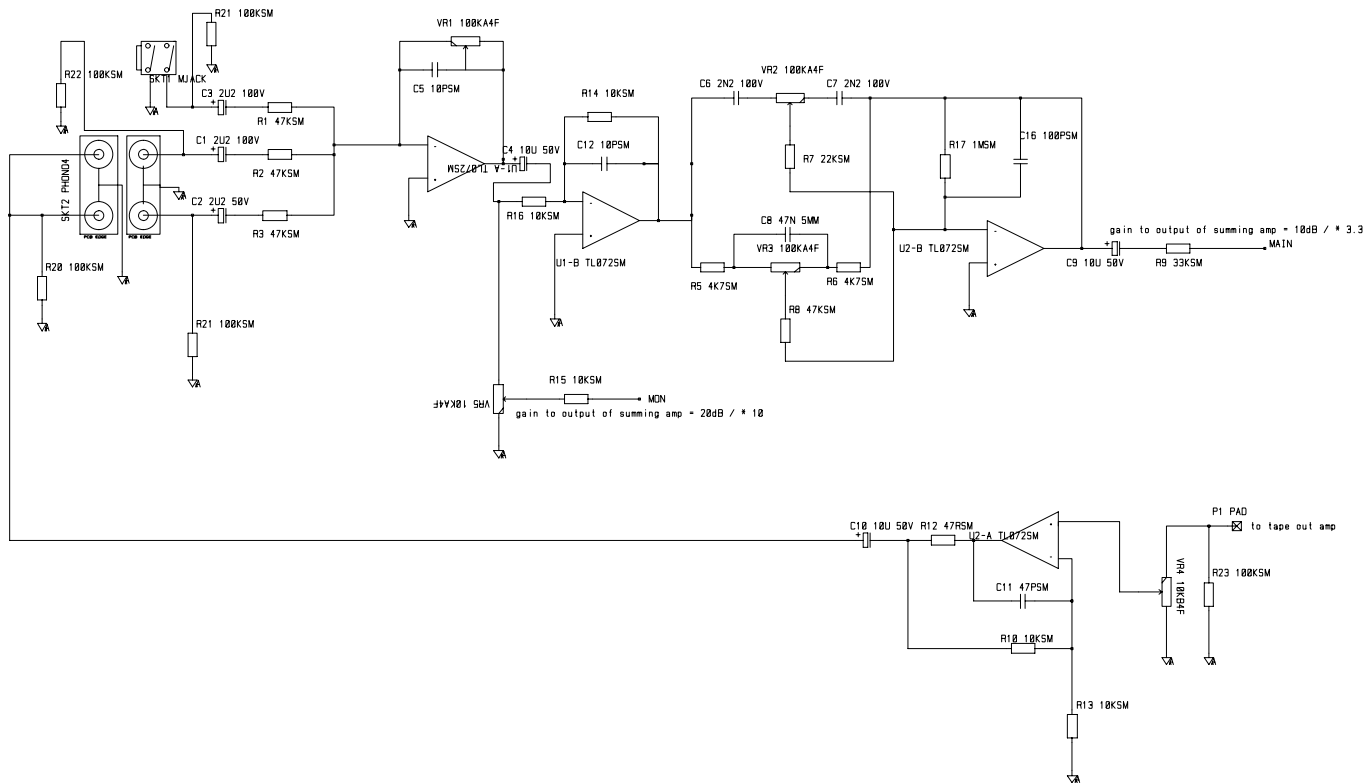
PRIMARY WIRING FOR 115V OPERATION



TRANSFORMER PART = 6103

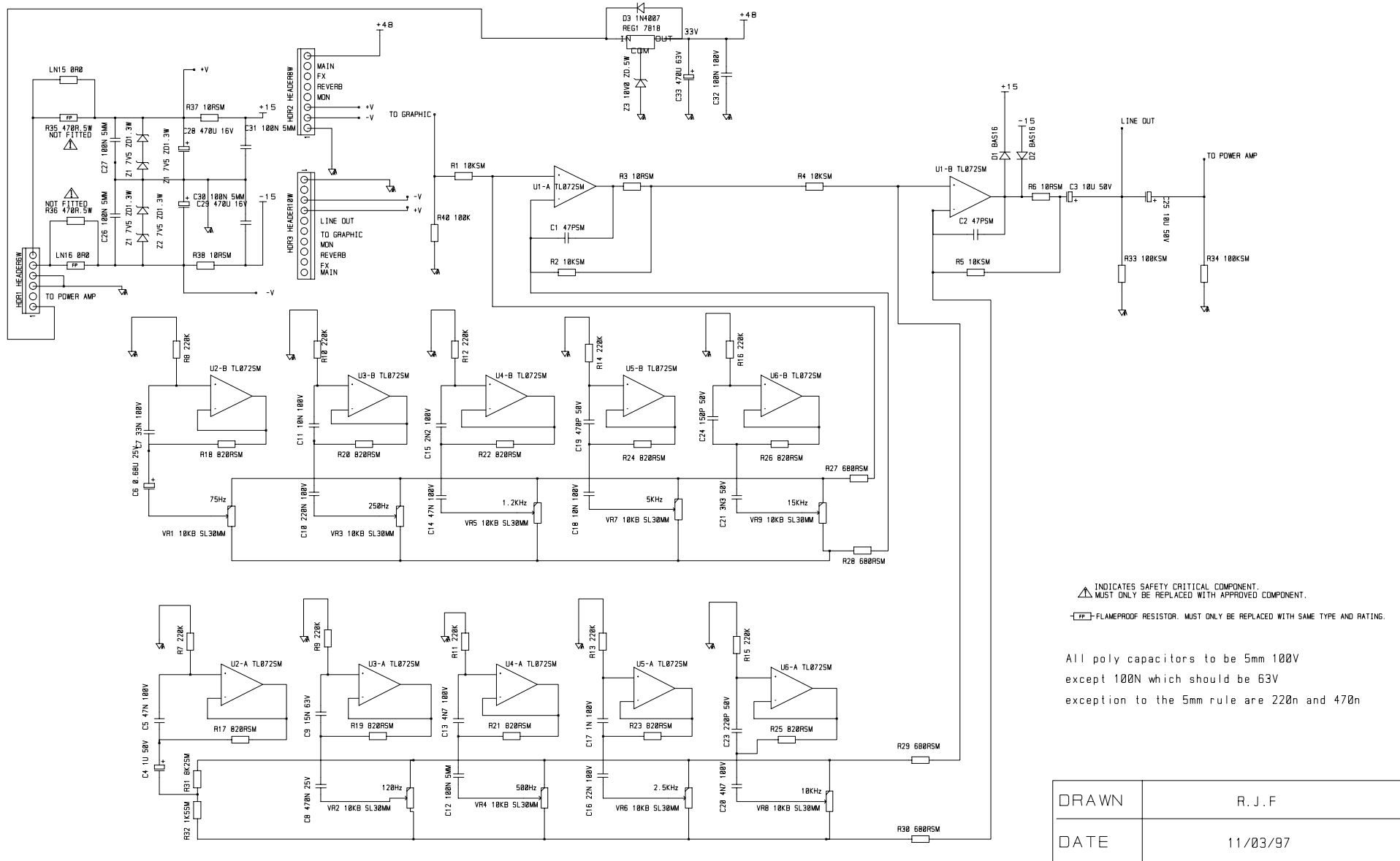
ISSUE	DESCRIPTION	APPD.	DATE	TITLE	DRAWN	TRACED	CHECKED	APPROVED	DATE
				CR400 MAINS WIRING	R.J.F				21/03/97
				PART No	DRAWING No.		2605		

BLT
Industries Ltd.



DRAWN	R. J. F
DATE	11/03/97
TITLE	PA HEAD TAPE INPUT
DRW. NO.	9112

ISSUE	USED IN	issue two 02/01/97	issue two 27/01/97	issue three 11/03/97
TYPE	CR300 P707S CR400 P707SR			R10 + R13 TO 10KSM R20, 21, 22 - 100KSM ADDED VR4 TO 10KA4F R11 DELETED

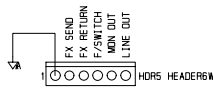
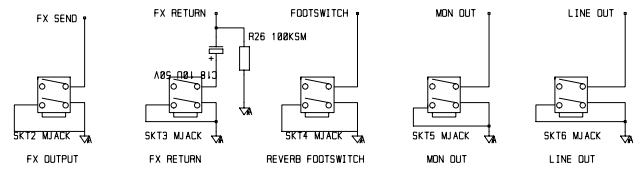
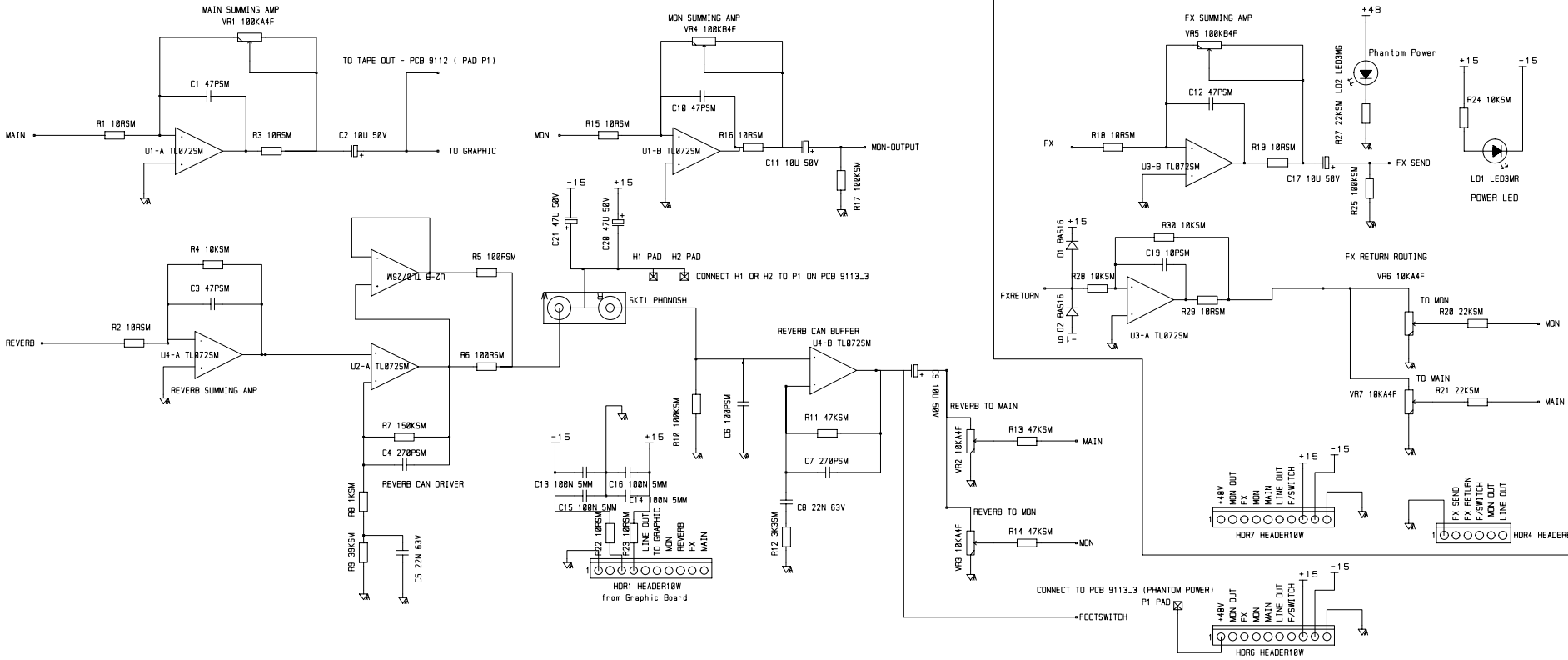


▲ INDICATES SAFETY CRITICAL COMPONENT. MUST ONLY BE REPLACED WITH APPROVED COMPONENT.
 □ FP FLAMEPROOF RESISTOR. MUST ONLY BE REPLACED WITH SAME TYPE AND RATING.

All poly capacitors to be 5mm 100V except 100N which should be 63V
 exception to the 5mm rule are 220n and 470n

DRAWN	R.J.F
DATE	11/03/97
TITLE	9 BAND MONO GRAPHIC
DRW. NO.	PCB 9113

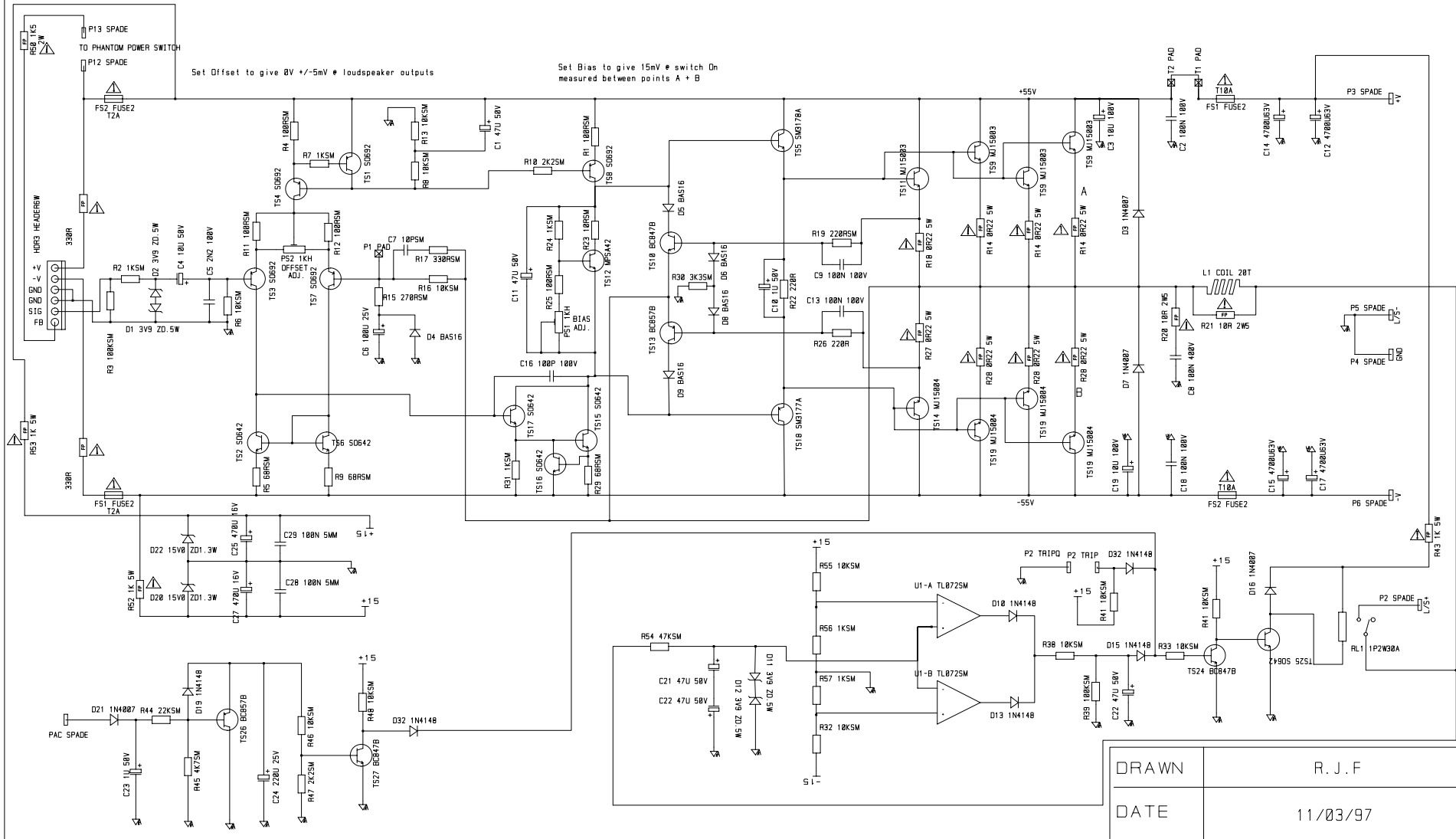
ISSUE	USED IN	issue two 28/01/97	issue three 11/03/97
TYPE	CR300 P7075 CR400 P7075R	R1 needs grounding via a 100k	R1 GROUNDED VIA 100K (R40) DROPPER RESISTORS MOVED TO OUTPUT BOARD, LN15 + 16 FOR BYPASS



DRAWN	R. J. F.
DATE	11/03/97
TITLE	PA HEAD MASTER SECTIONS
DRW. NO.	PCB 9114

ISSUE	USED IN	ISSUE FOUR 11/03/97
TYPE	CR300 P707S CR400 P707SR	Aux return buffered R20 + R21 Values to 22Ksm Track corrected around aux send and return skts

⚠ INDICATES SAFETY CRITICAL COMPONENT
 ⚠ MUST ONLY BE REPLACED WITH APPROVED TYPE.
 ⚡ FLAMEPROOF RESISTOR. MUST ONLY BE REPLACED WITH SAME TYPE AND RATING.



Set Offset to give 0V +/-5mV * loudspeaker outputs

Set Bias to give 15mV * switch On measured between points A + B

DRAWN	R. J. F
DATE	11/03/97
TITLE	400 WATT OUTPUT MODULE
DRW. NO.	9119_3

ISSUE	ISSUE THREE 11/3/97	1/10/98
TYPE	338R 11W FP H. T. DROPPER RESISTORS ADDED PHANTOM POWER H. T. DROPPERS ADDED	R19 from 1KSM to 220RSM R26 from 1K to 220R