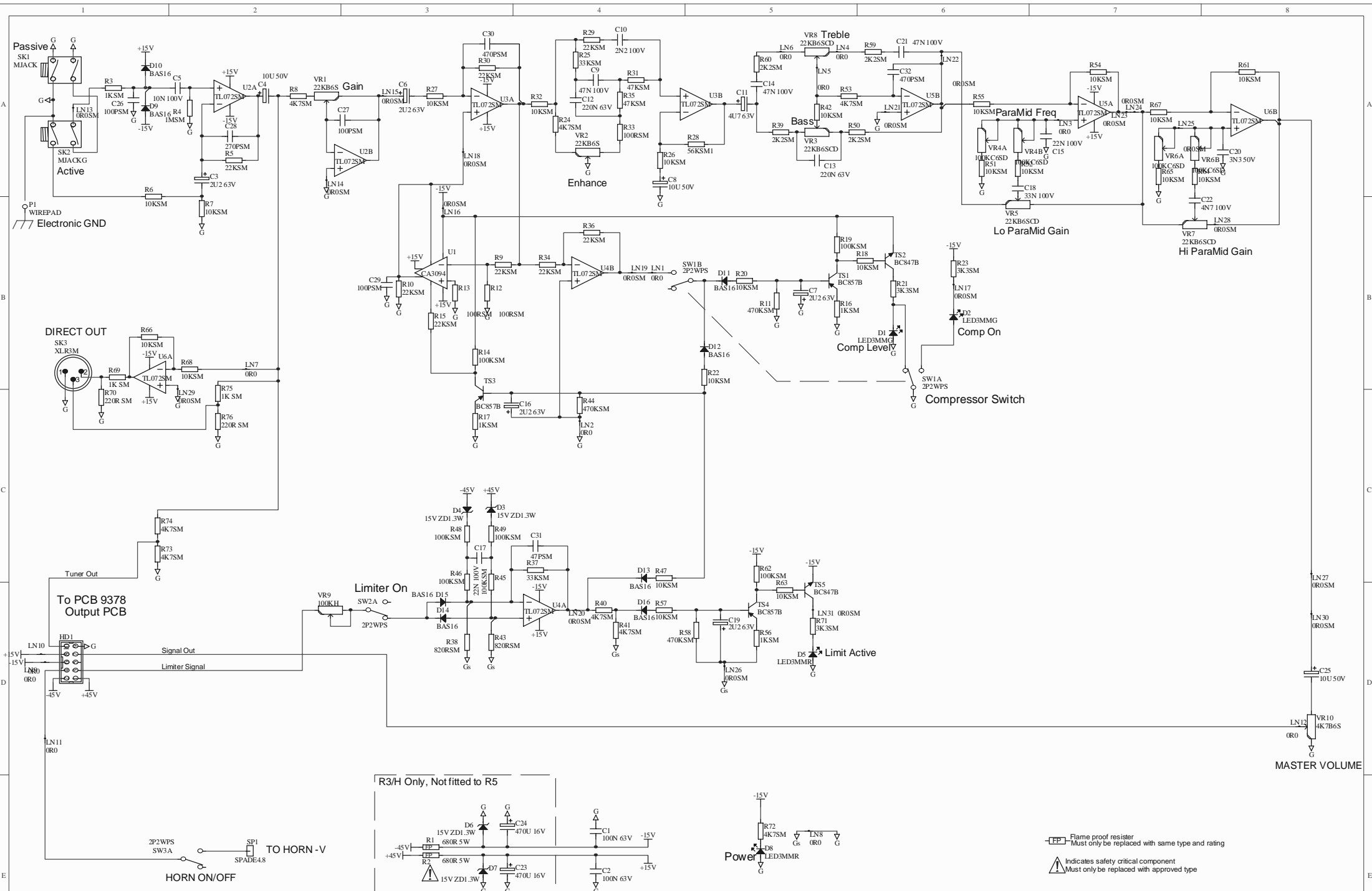


R3H
Service
Information

Laney
Classic British Amplification

Newlyn Road, Cradley Heath, West Midlands. B64 6BE
www.laney.co.uk

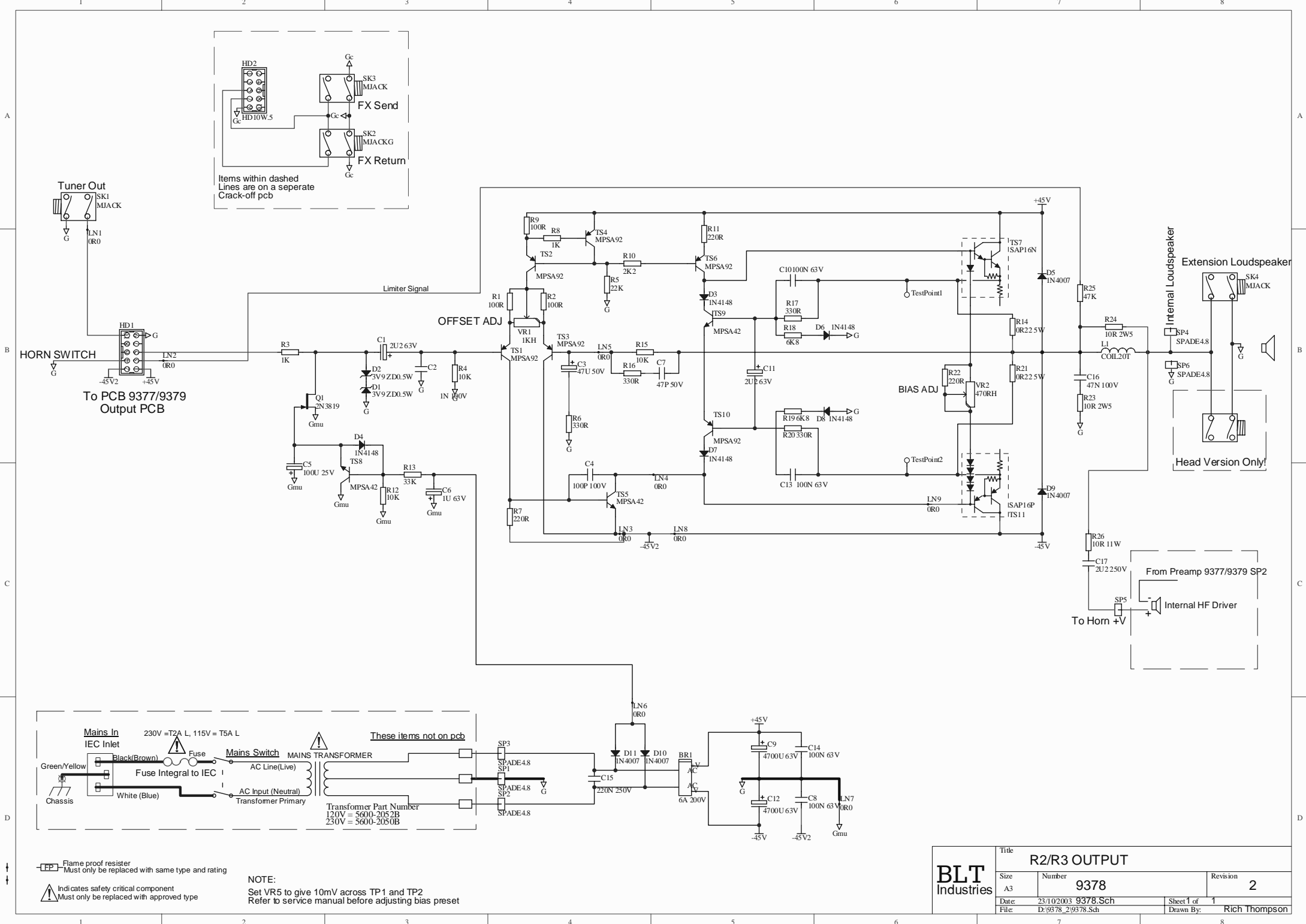


Flame proof resistor
 Must only be replaced with same type and rating
 Indicates safety critical component
 Must only be replaced with approved type

Revision History	
- R70, R76 From 820r to 220r	See CN0337
- R69, R75 from 470r to 1K	

BLT Industries

Title			
R3/R5 Bass Preamp			
Size	Number	Revision	
A2	9379	2	
Date:	10/02/2004	9379 2_Sch	Sheet 1 of 1
File:	D:\Work-in-Progress\...9379 2_Sch	Drawn By: Rich Thompson	



Flame proof resistor
 Must only be replaced with same type and rating
 Indicates safety critical component
 Must only be replaced with approved type

NOTE:
 Set VR5 to give 10mV across TP1 and TP2
 Refer to service manual before adjusting bias preset

		Title R2/R3 OUTPUT	
		Size A3	Number 9378
Date: 23/10/2003 9378.Sch	Revision 2	Sheet 1 of 1	Drawn By: Rich Thompson

Product	Description	Quantity	Price
R3HE	R3H RICHTER BASS HEAD 165W-230V		
-540021	20mm T3.15A FUSE	1.0000	
-10702	SPECIAL MAINS LEAD	1.0000	
-10969	R SERIES USER MANUAL	1.0000	
-008459	R3H CHASSIS ASSY 230	1.0000	
-005005	NEW TYPE MAINS SOCKET	1.0000	
-005114	R1/2/3 - IDC CABLE A	1.0000	
-005511	5MM SOLDER TAG	2.0000	
-005558	100mm TIE WRAP	4.0000	
-005665/C	12mm KNOB C/P	9.0000	
-006123	115V/230V MAINS TRANS	1.0000	
-008460	R3H PREAMP PCB ASSY	1.0000	
-001300	ORO SHORTING LINK	19.0000	
-001303	100R 5% RESISTOR	3.0000	
-001304	820R 5% RESISTOR	3.0000	
-001305	2K2 5% RESISTOR	2.0000	
-001306	10K 5% RESISTOR	22.0000	
-001309	1M 5% RESISTOR	22.0000	
-001310	100K 5% RESISTOR	7.0000	
-001311	470R 5% RESISTOR	3.0000	
-001312	4K7 5% RESISTOR	9.0000	
-001315	47K 5% RESISTOR	2.0000	
-001316	22K 5% RESISTOR	6.0000	
-001319	15K 5% RESISTOR	1.0000	
-001326	3K3 5% RESISTOR	3.0000	
-001327	1K 5% RESISTOR	6.0000	
-001331	33K 5% RESISTOR	1.0000	
-001336	470K 5% RESISTOR	3.0000	
-001705	680R 5W RESISTOR	2.0000	
-001920	ZERO OHM RESISTOR	7.0000	
-001923	56KSM 1206 1% RESIST	1.0000	
-002013	10UF 50V CAPACITOR	3.0000	
-002020	470UF 16V RADIAL	2.0000	
-002024	2.2UF 63V RADIAL	5.0000	
-002027	4.7UF 63V RADIAL	1.0000	
-002037	220N 5MM BOX POLY CA	2.0000	
-002415	2.2NF 100V 5mm	1.0000	
-002416	3.3NF 50V 5mm	1.0000	
-002417	4.7NF 100V 5mm	1.0000	
-002419	100NF 63V 5mm	2.0000	
-002420	22NF 100V 5mm	2.0000	
-002421	10NF 100V 5mm	1.0000	
-002425	47NF 100V 5mm	1.0000	
-002426	15NF 100V 5mm	1.0000	
-002438	68N 5MM BOXED	2.0000	
-002602	47PF 50V 10% COG	1.0000	
-002603	100PF 50V 10% COG	3.0000	
-002604	270PF 50V 10% COG	1.0000	
-002605	470PF 50V 10% COG	2.0000	
-003014	15V 1.3W ZENER	4.0000	
-003022	3mm GREEN LED	3.0000	
-003033	3mm LED RED	1.0000	
-003500	BAS16 DIODE	8.0000	
-003503	BC847B TRANSISTOR	2.0000	
-003504	BC857B TRANSISTOR	3.0000	
-003508	34072 IC (SMD TL072)	5.0000	
-003916	CA3094E/CA3080E IC	1.0000	
-004029	100K HORIZ PRESET	1.0000	
-004061	6mm 22K LIN POT	2.0000	
-004072	6mm 4K7 LIN POT	1.0000	
-004075	6mm 100KC DUAL POT	2.0000	
-004099	22K LIN POT	4.0000	
-005002	MONO JACK SOCKET	1.0000	
-005017	2P 2W PUSH SWITCH	2.0000	
-005079	IDC PCB PLUG 10-WAY	1.0000	
-005096	MONO JACK SOCKET-GOL	1.0000	
-005503	7.5mm ROUND BLACK BU	2.0000	
-005624	XLR SKT MALE 90DEG	1.0000	
-005686	4.8MM TERMINAL SPADE	1.0000	
-009379	R3/R5 BASS PREAMP PC	1.0000	
-008455	R2/R3 OUTPUT PCB ASS	1.0000	
-001003	1K .25W RESISTOR	2.0000	
-001005	2K2 .25W RESISTOR	1.0000	
-002419	100NF 63V 5mm	4.0000	
-001007	6K8 .25W RESISTOR	2.0000	
-001008	100K .25W RESISTOR	1.0000	
-001009	220R .25W RESISTOR	3.0000	
-001013	22K .25W RESISTOR	3.0000	
-001014	10K .25W RESISTOR	3.0000	
-001016	33K .25W RESISTOR	1.0000	
-001020	470R .25W RESISTOR	3.0000	
-001021	100R .25W RESISTOR	3.0000	
-001500	10R 2.5W RESISTOR	2.0000	
-001718	10R 11W CEMENT 5%	1.0000	
-001920	ZERO OHM RESISTOR	8.0000	
-002004	47UF 50V RADIAL	1.0000	
-002006	4700UF 63V RADIAL	2.0000	
-002014	100UF 35V RADIAL	1.0000	
-002024	2.2UF 63V RADIAL	2.0000	
-002025	1UF 63V RADIAL	1.0000	
-002402	220NF 250V 15MM DIPE	1.0000	
-002414	1NF 100V 5mm	1.0000	
-002415	2.2NF 100V 5mm	1.0000	
-002419	100NF 63V 5mm	4.0000	
-002425	47NF 100V 5mm	1.0000	
-002431	2.2UF 250V POLYESTER	1.0000	
-002800	47PF 50V CERAMIC	1.0000	
-002817	100PF 100V CERAMIC	1.0000	
-003000	1N4007 DIODE	4.0000	
-003006	1N4148 DIODE	5.0000	
-003007	3V9 .5W ZENER DIODE	2.0000	
-003016	6A 200V BRIDGE	1.0000	
-003409	2N3819 TRANSISTOR	1.0000	
-003411	MPSA42/43 TRANSISTOF	3.0000	
-003412	MPSA92/93 TRANSISTOF	6.0000	
-003807	SAP15N POWER DEVICE	1.0000	
-003808	SAP15P POWER DEVICE	1.0000	
-004000	1K HORIZ PRESET	1.0000	
-004010	470R HORIZ PRESET	1.0000	

Product	Description	Quantity
-005002	MONO JACK SOCKET	1.0000
-005097	MONO JACK SOCKET-HOF	2.0000
-005006	20 TURN COIL	1.0000
-005009	SINGLE TERMINAL PIN	2.0000
-005079	IDC PCB PLUG 10-WAY	1.0000
-005096	MONO JACK SOCKET-GOL	1.0000
-005686	4.8MM TERMINAL SPADE	4.0000
-8M-8877	65MM FINNED HEATSINK	2.0000
-009378	R2/R3 BASS 160W OUTF	1.0000
-009161	4mm INT. SHAKEPROOF	1.0000
-009171	M5 INT SHAKEPROOF WA	2.0000
-009173	5*12mm PAN POZI ZINC	1.0000
-009175	M6 HEX NUT ZINC ONLY	1.0000
-009181	5mm BRASS HEX NUT	1.0000
-009187	NO.8 SPIRE FASTENER	6.0000
-009204	NO 4*1/4 PLASTITE	2.0000
-009229	8*3/8 FH POZI	5.0000
-009233	POP RIVET 4*7	3.0000
-10004	MONO JACK SOCKET	1.0000
-530027	DPST EQ MAINS SWITCH	1.0000
-540038	EARTH WARNING LABEL	1.0000
-541004	HC25/50 4.8 FASTON	9.0000
-586003	M8 * 60 COACH BOLT	1.0000
-586022	8MM FLAT TX WASHER 2	1.0000
-586023	8mm SHKPRF WASHER	1.0000
-588006	POP RIVET (BLACK)	2.0000
-8M-8873	R3H CHASSIS DWG.3355	1.0000
-8SP-8873	R3H PRINT COST	1.0000
-20104	R3H CABINET	1.0000
-10039	CORNER PENN P/N.C183	4.0000
-10044	CORNER PENN P/N.C182	2.0000
-10057	SMALL LANEY BADGE	1.0000
-10059	RUBBER CABINET FOOT	4.0000
-10157	PLASTIC STRAP HANDLE	1.0000
-10200	M5 x 10mm TEENUT	2.0000
-10202	5MMx25MM CSK POZI SC	2.0000
-10207	NO.6 X 5/8" CSK POZI	4.0000
-10224	35mm FINISHED NAIL	40.0000
-10231	NO8x1/2" FLANGE POZI	18.0000
-10240	10 * 1 CSK POZI	4.0000
-10243	NO4*1/2 TYPE B CSK	2.0000
-10244	FLAT SPIRE CLIP	2.0000
-10248	NO10 * 1 1/4" FLANGE	4.0000
-10301	18mm CHIPBOARD	0.2500
-10328	REPTILE BLACK	1.2500
-10477	R3H/R4H CARTON	1.0000
-10600	32/18 STAPLE	16.0000
-10622	POLY BAG 48(0) X 48	1.0000
-10981	GLUE/PAINT COST 1.25	1.0000
-8G-R3H/R	GRILL R3H R4H	1.0000
-79063	RICHTER MESH	0.1250
-8M-R3H-	R3H/R4H Grill	1.0000
-8PCG-R3	GRILL R3H-4H	1.0000
-8P-8733	RICHTER VENT	2.0000
-79003	ZINTEC SHEET/1Mx1Mx1	0.0460
-8PC-873	RBW100 VENT	2.0000
-8M-8733	Vent	2.0000