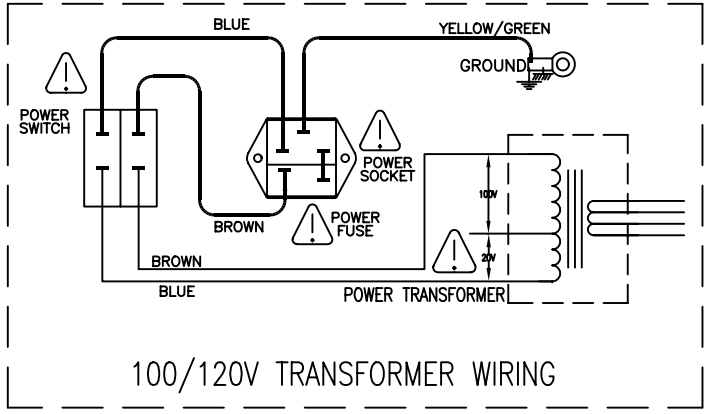
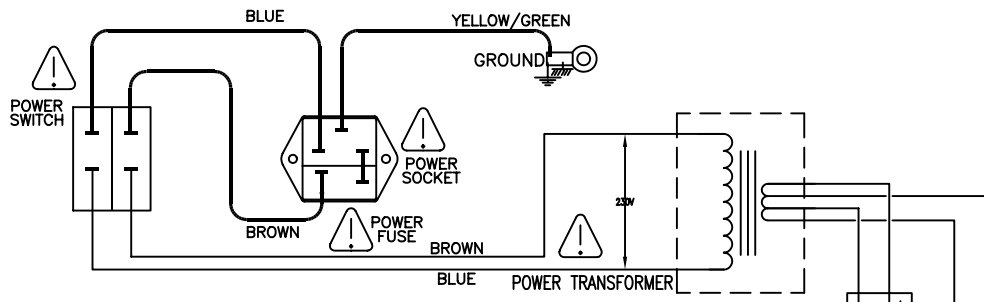
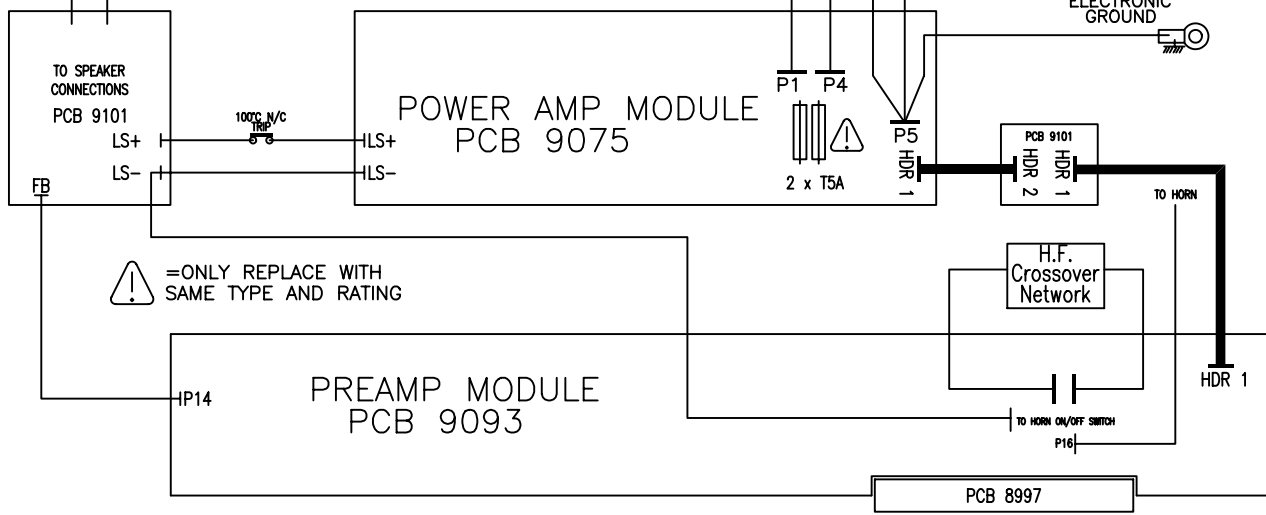


Laney

Service Diagrams



- ⚠ POWER FUSE @ 230V = T3.15A
- ⚠ POWER FUSE @ 115V = T6.3A
- ⚠ POWER TRANSFORMER @ 230V = 6107
- ⚠ POWER TRANSFORMER @ 115V = 6108



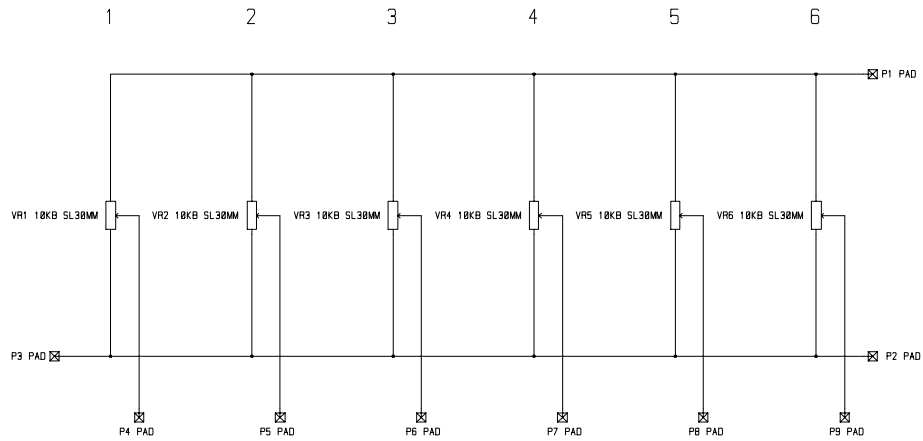
⚠ =ONLY REPLACE WITH SAME TYPE AND RATING

ISSUE	DESCRIPTION	APPD.	DATE

BLT
Industries Ltd.

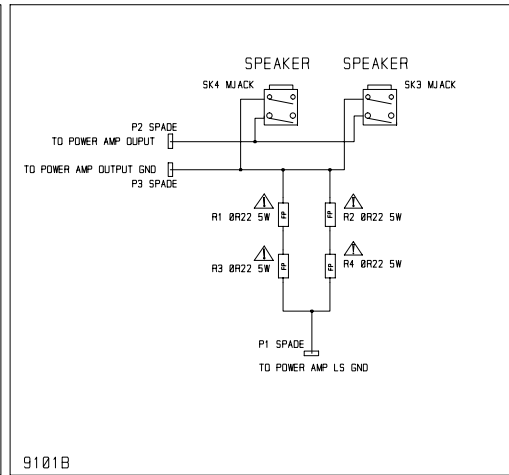
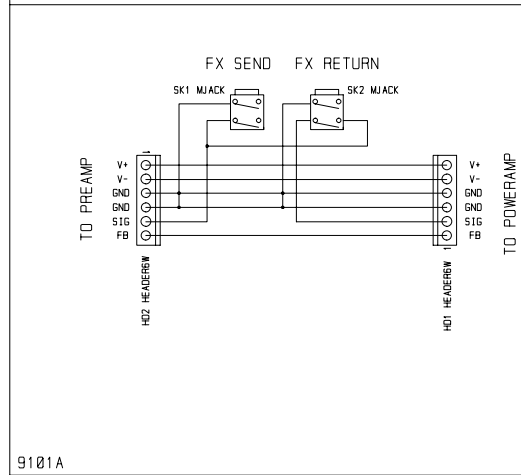
TITLE
RBG500 SERVICE
DIAGRAM
PART No

DRAWN	TRACED	CHECKED	APPROVED	DATE
S.L.				16/4/98
DRAWING No.		2806		



DRAWN	DEH
DATE	09/11/94
TITLE	GFX SLIDER BOARD
DRW. NO.	8997_4

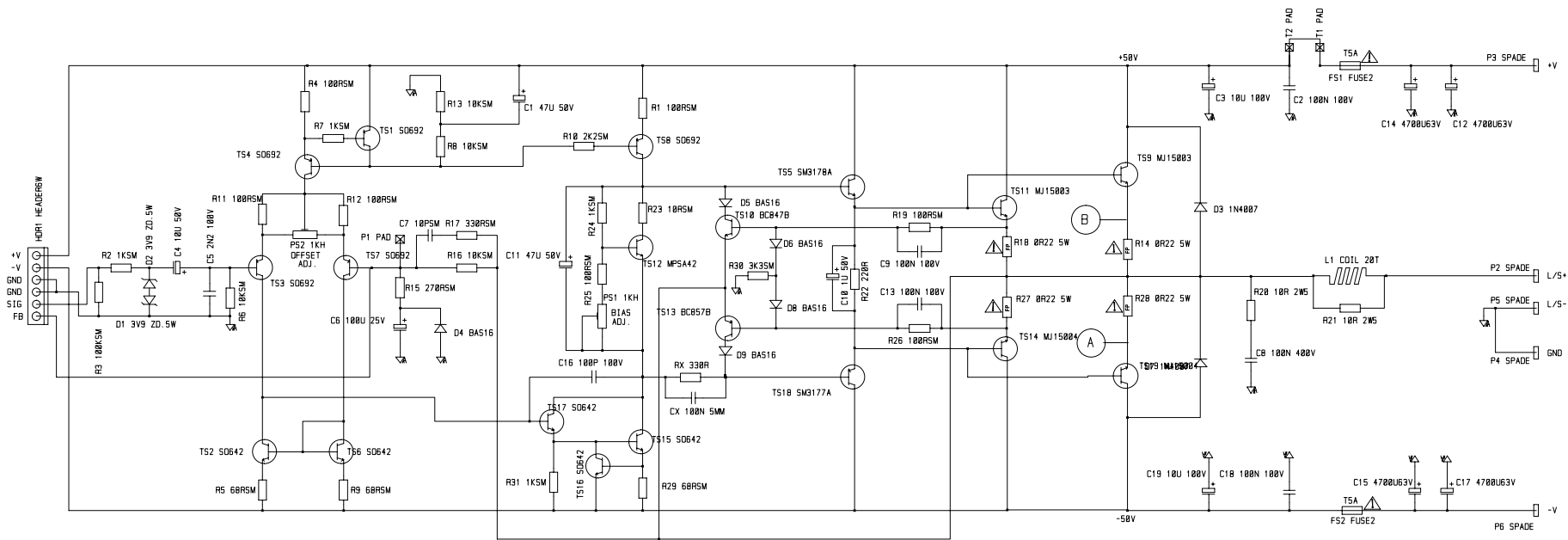
ISSUE					
TYPE					



INDICATES SAFETY CRITICAL COMPONENT. MUST ONLY BE REPLACED WITH APPROVED COMPONENT.
 FLAMEPROOF RESISTOR. MUST ONLY BE REPLACED WITH SAME TYPE AND RATING.

DRAWN	DEH
DATE	06/02/96
TITLE	BC250 JACK BOARD
DRW. NO.	9101

ISSUE							
TYPE							



Adjust P51 for 5mV between A+B. No signal. No load.

▲ INDICATES SAFETY CRITICAL COMPONENT. MUST ONLY BE REPLACED WITH APPROVED COMPONENT.
 [Symbol] FLAMEPROOF RESISTOR. MUST ONLY BE REPLACED WITH SAME TYPE AND RATING.

DRAWN	DEH
DATE	05/02/96
TITLE	250W OUTPUT MODULE
DRW. NO.	9075_3

ISSUE		30/09/99	11/04/01		
TYPE	CHANGE R15 FROM 470R TO 220R 29/5/96	Rx and Tx added to reduce short circuit	Bias points A + B corrected		