

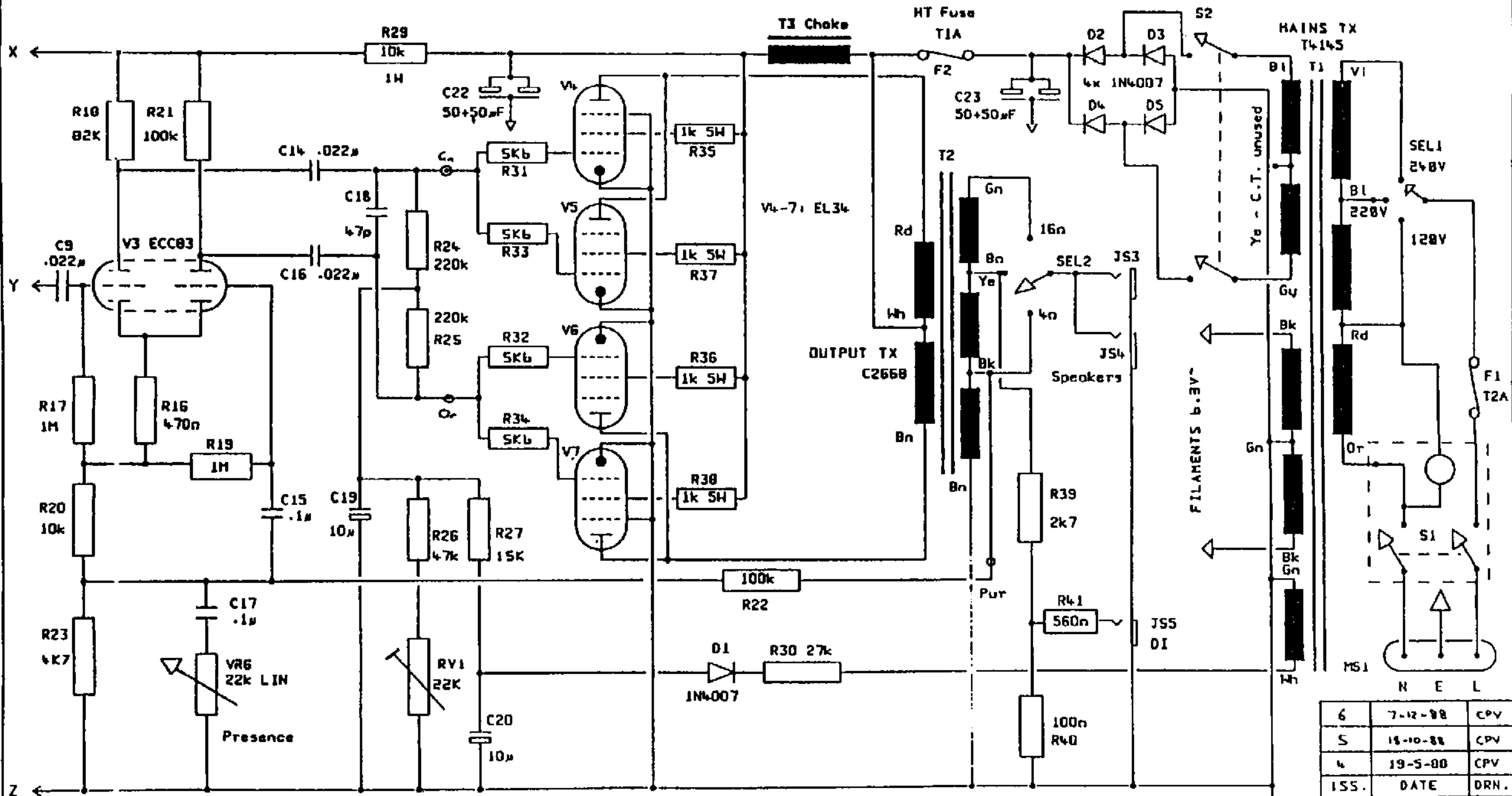
NOTES

PCB: JM80
 V1.2: ECC83. filament supply shown on power stage diagram.

4	19-5-88	CPV
ISS. DATE		DRN.

DRAWING NUMBER
2203 STD
 Preamp

MARSHALL
 JIM MARSHALL
 PRODUCTS LTD.
 BLETCHLEY
 MILTON KEYNES
 ENGLAND
 File: 2203PRE.DGN



ISS.	DATE	DRN.
6	7-12-88	CPV
5	18-10-88	CPV
4	19-5-88	CPV

2203 STD
Output Stage & PSU
MARSHALL
JIM MARSHALL
PRODUCTS LTD.
BLETCHLEY
HILTON KEYNES
ENGLAND