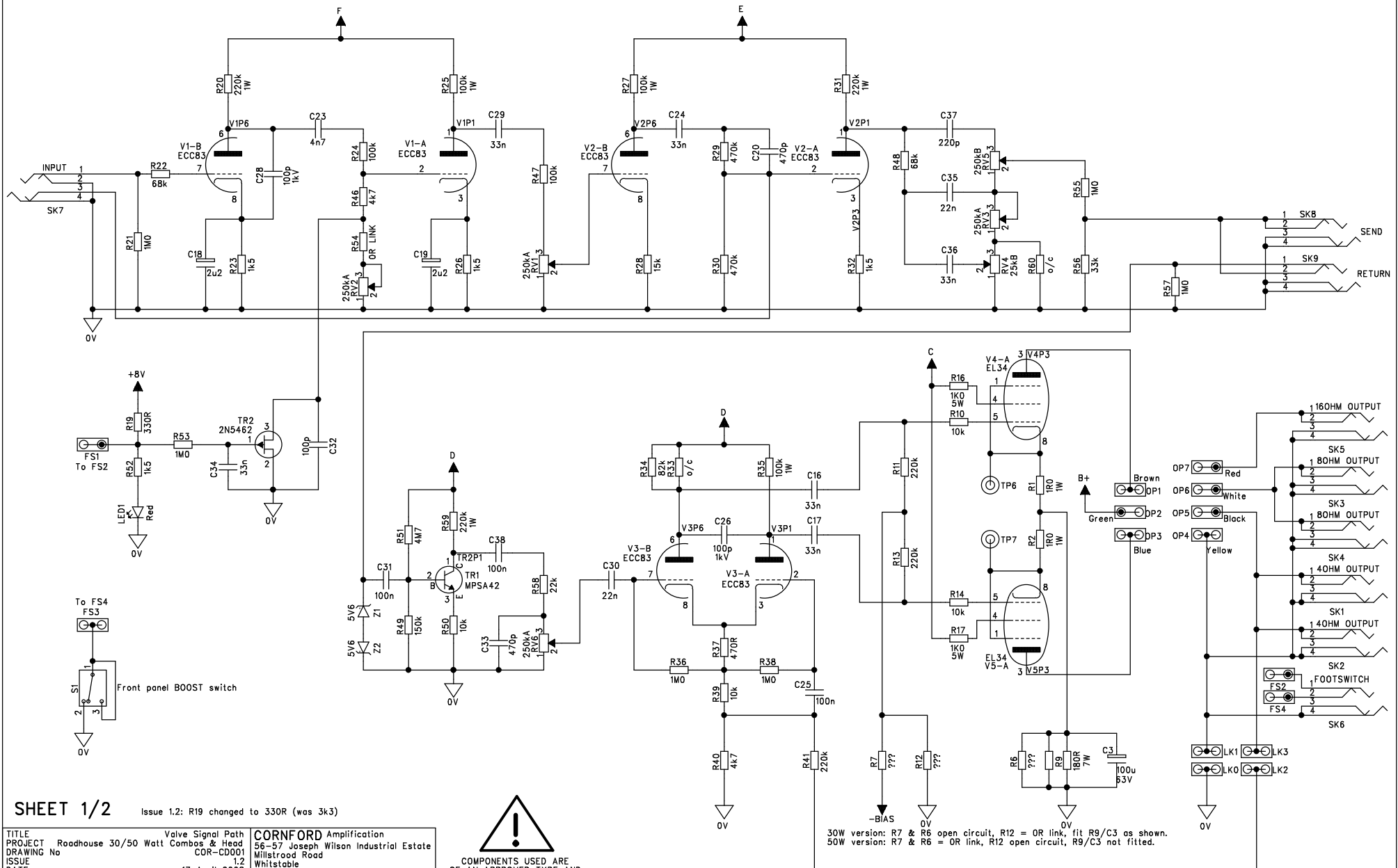


# CORNFORD ROADHOUSE 30/50 WATT - PCB SCHEMATIC

## PREAMP, PHASE SPLITTER & OUPUT VALVES



**SHEET 1/2**

Issue 1.2: R19 changed to 330R (was 3k3)

TITLE	Valve Signal Path	<b>CORNFORD</b> Amplification
PROJECT	Roadhouse 30/50 Watt Combos & Head	56-57 Joseph Wilson Industrial Estate
DRAWING No	COR-CD001	Milford Road
ISSUE	1.2	Whitstable
DATE	17 April 2008	Kent CT5 3PS
SCHEMATIC/PCB DRAWN BY	PS	England
ORIGINAL CIRCUIT DESIGN BY	Martin Kidd	info@cornfordamps.com

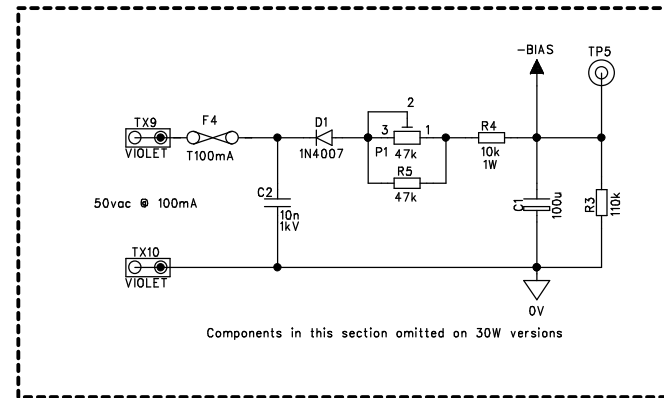
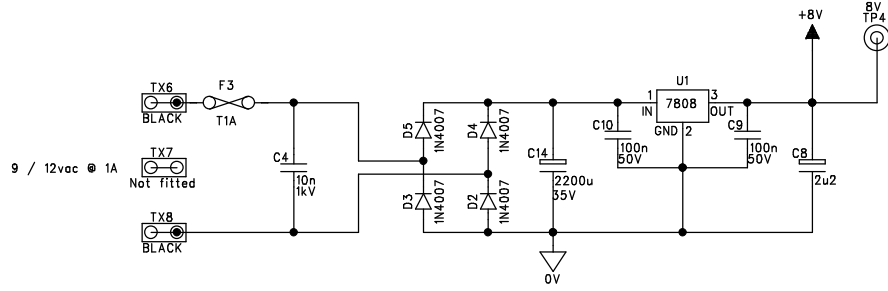
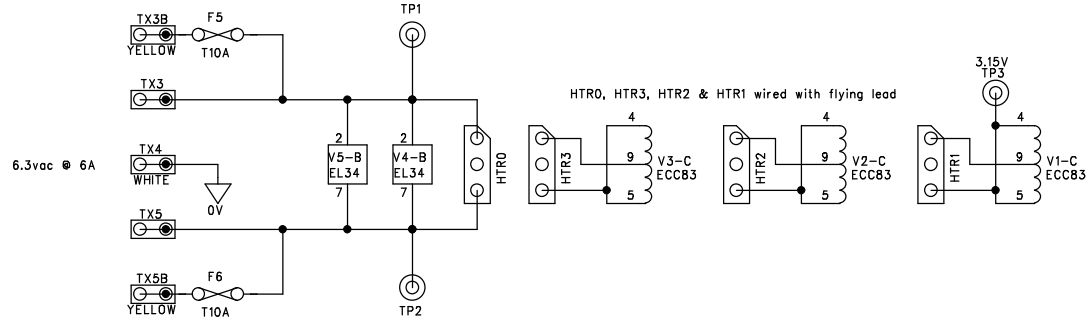
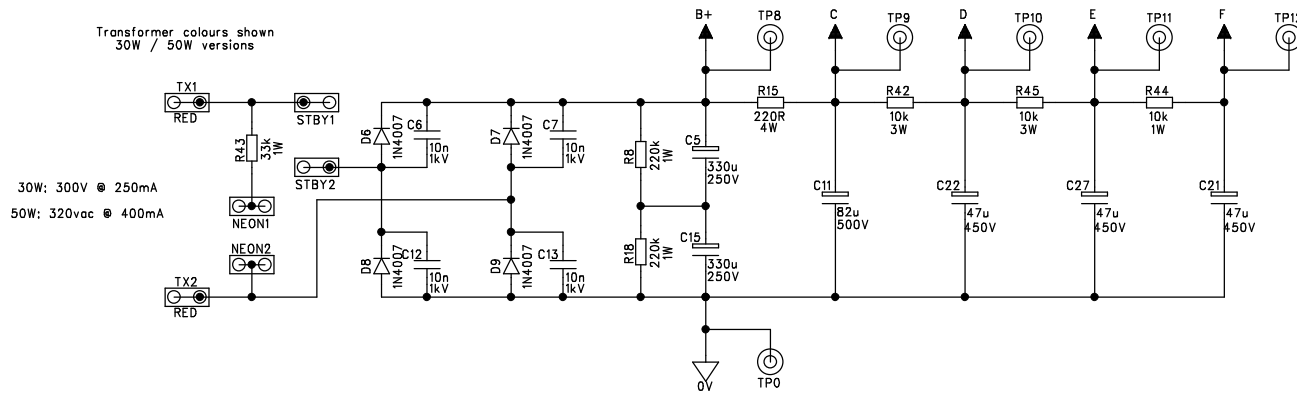
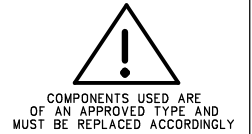


COMPONENTS USED ARE OF AN APPROVED TYPE AND MUST BE REPLACED ACCORDINGLY

30W version: R7 & R6 open circuit, R12 = OR link, fit R9/C3 as shown.  
50W version: R7 & R6 = OR link, R12 open circuit, R9/C3 not fitted.

# CORNFORD ROADHOUSE 30/50 WATT - PCB SCHEMATIC

## SUPPLIES & HEATERS



SHEET 2/2

TITLE	Supplies, Heaters	CORNFORD Amplification
PROJECT	Roadhouse 30/50 Watt Combs & Head	56-57 Joseph Wilson Industrial Estate
DRAWING No	COR-CD001	Milstead Road
ISSUE	1.2	Whitstable
DATE	17 April 2008	Kent CT5 3PS
SCHEMATIC/PCB DRAWN BY	PS	England
ORIGINAL CIRCUIT DESIGN BY	Martin Kidd	info@cornfordamps.com