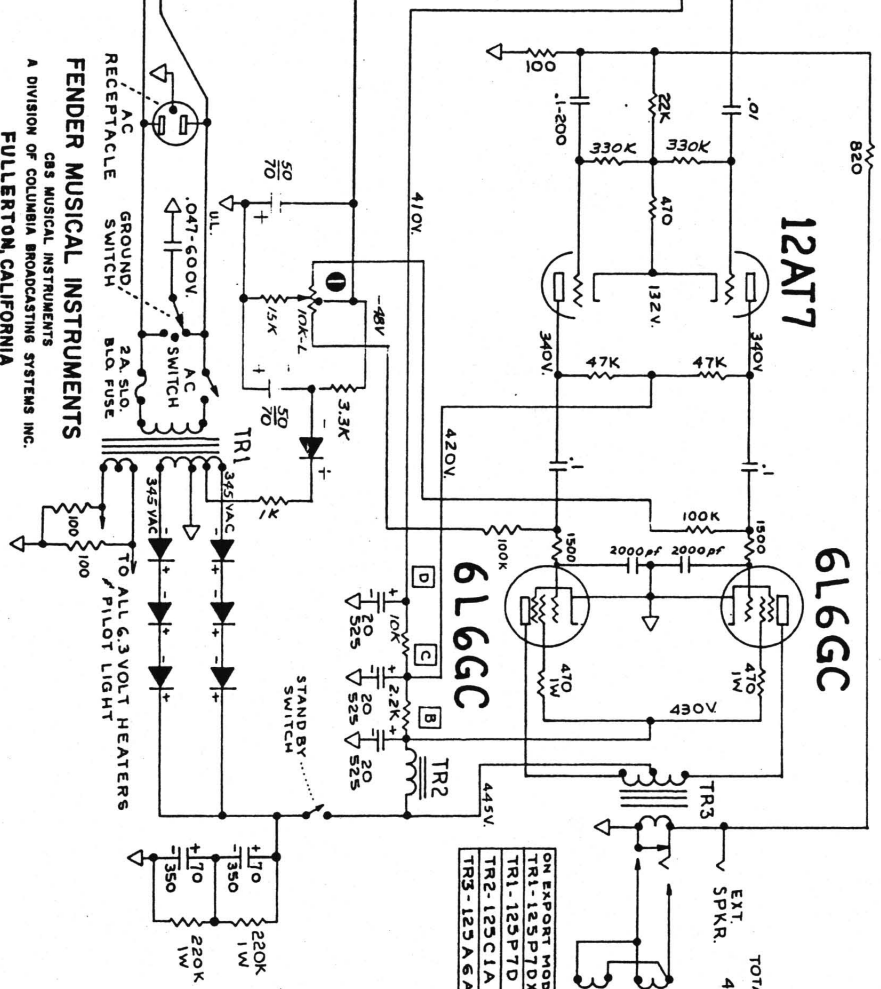
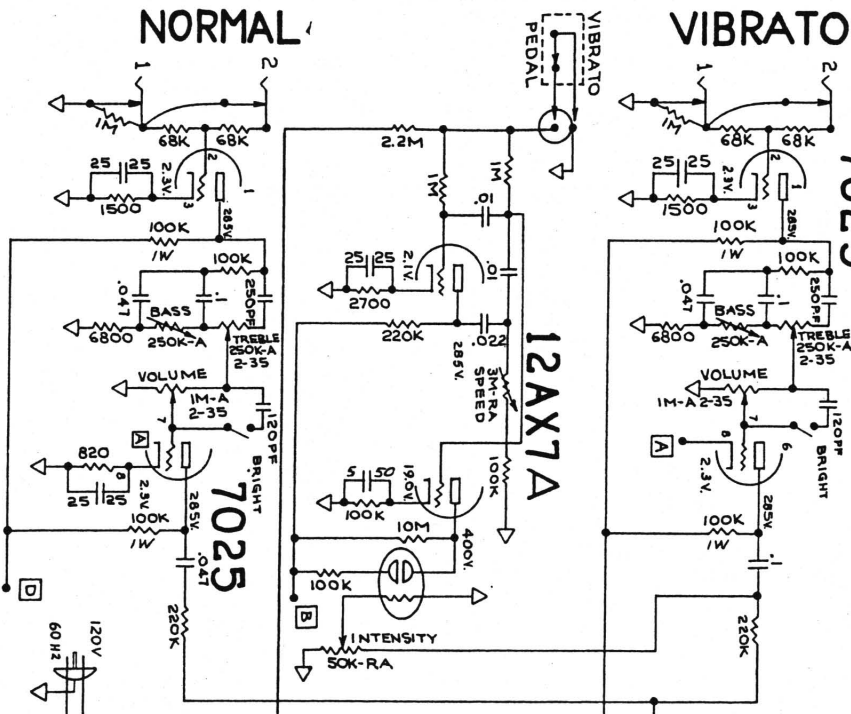


FENDER "BANDMASTER-AMP AD1269" SCHEMATIC $\frac{P}{B}$ NOTICE

7025

THIS PRODUCT MANUFACTURED UNDER ONE OR MORE OF THE FOLLOWING U.S. PATENTS - #2817708, #2973581, 192859 & PATENTS PENDING

- 1- VOLTAGES READ TO GROUND WITH ELECTRONIC VOLTMETER
- 2- ALL RESISTORS 1/2 WATT, 10% TOLERANCE IF NOT SPECIFIED.
- 3- ALL CAPACITORS AT LEAST 600 VOLT RATING IF NOT SPECIFIED.
- 4- VOLTAGES READ WITH VIBRATO PEDAL GROUNDED AND NO INPUT SIGNAL



ON EXPORT MODEL	022822
TR1-125P7DX	022814
TR2-125C1A	022699
TR3-125A6A	022848

FENDER MUSICAL INSTRUMENTS
 A DIVISION OF COLUMBIA BROADCASTING SYSTEMS INC.
 FULLERTON, CALIFORNIA
 U.S.A.

047761 D

