

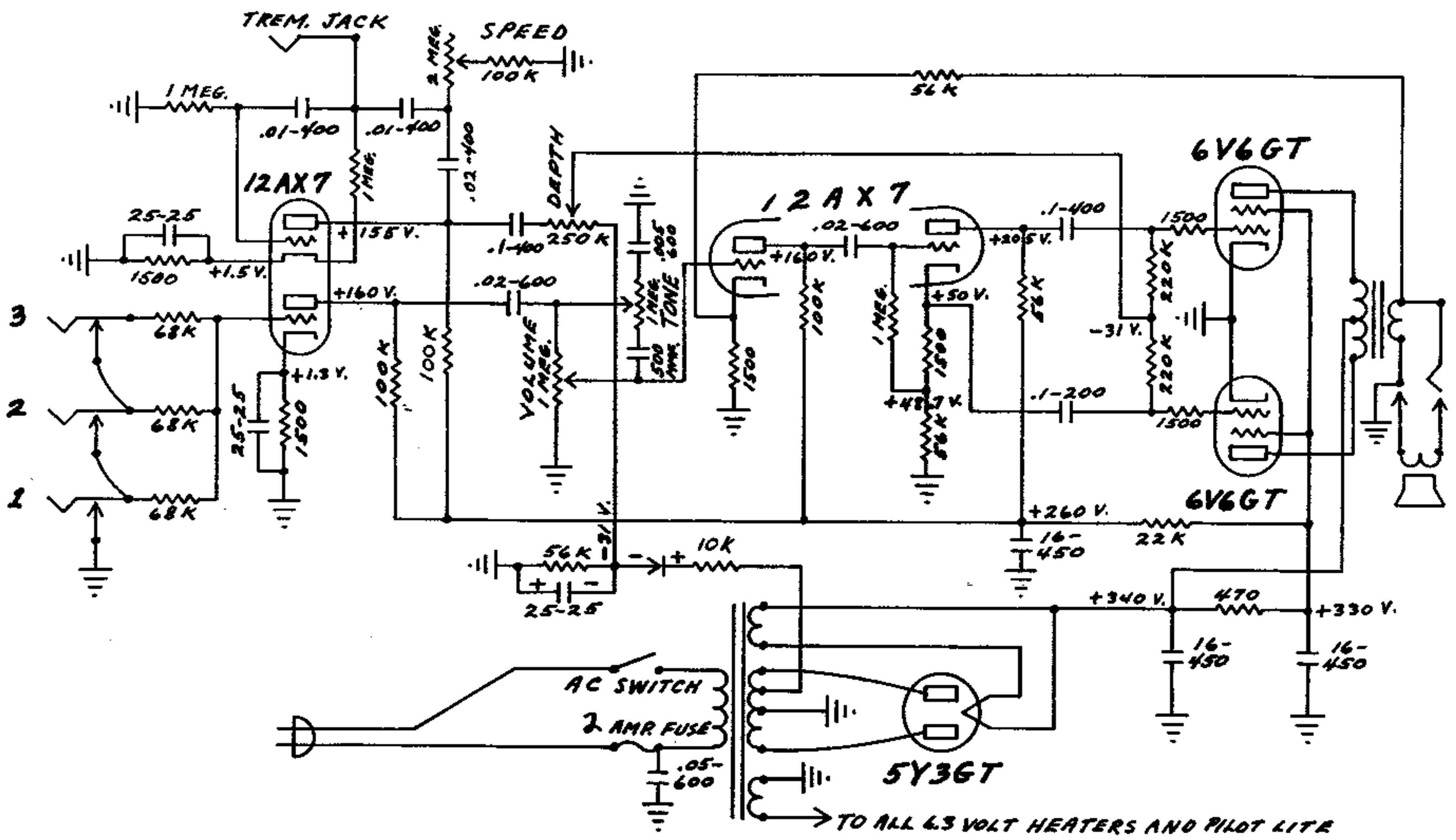
FENDER "VIBROLUX" SCHEMATIC

MODEL 5F11

G-EF

NOTICE

VOLTAGES READ TO GROUND WITH V.T.V.M. VALUES SHOWN + OR - 20%



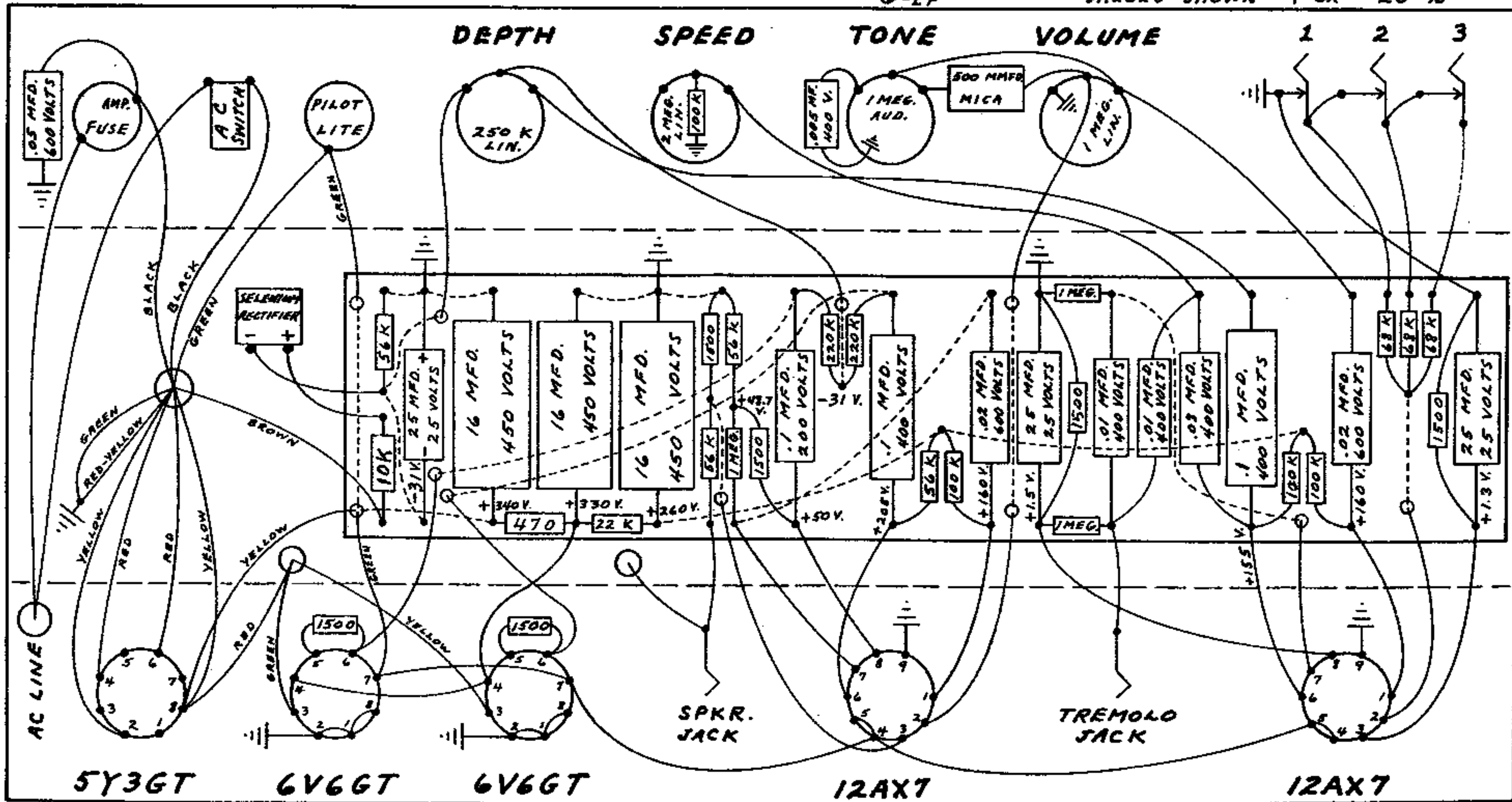
FENDER "VIBROLUX" LAYOUT

MODEL 5F11

NOTICE

VOLTAGES READ TO GROUND
WITH ELECTRONIC VOLTMETER.
VALUES SHOWN + OR - 20 %

G-EF



5Y3GT

6V6GT

6V6GT

12AX7

12AX7