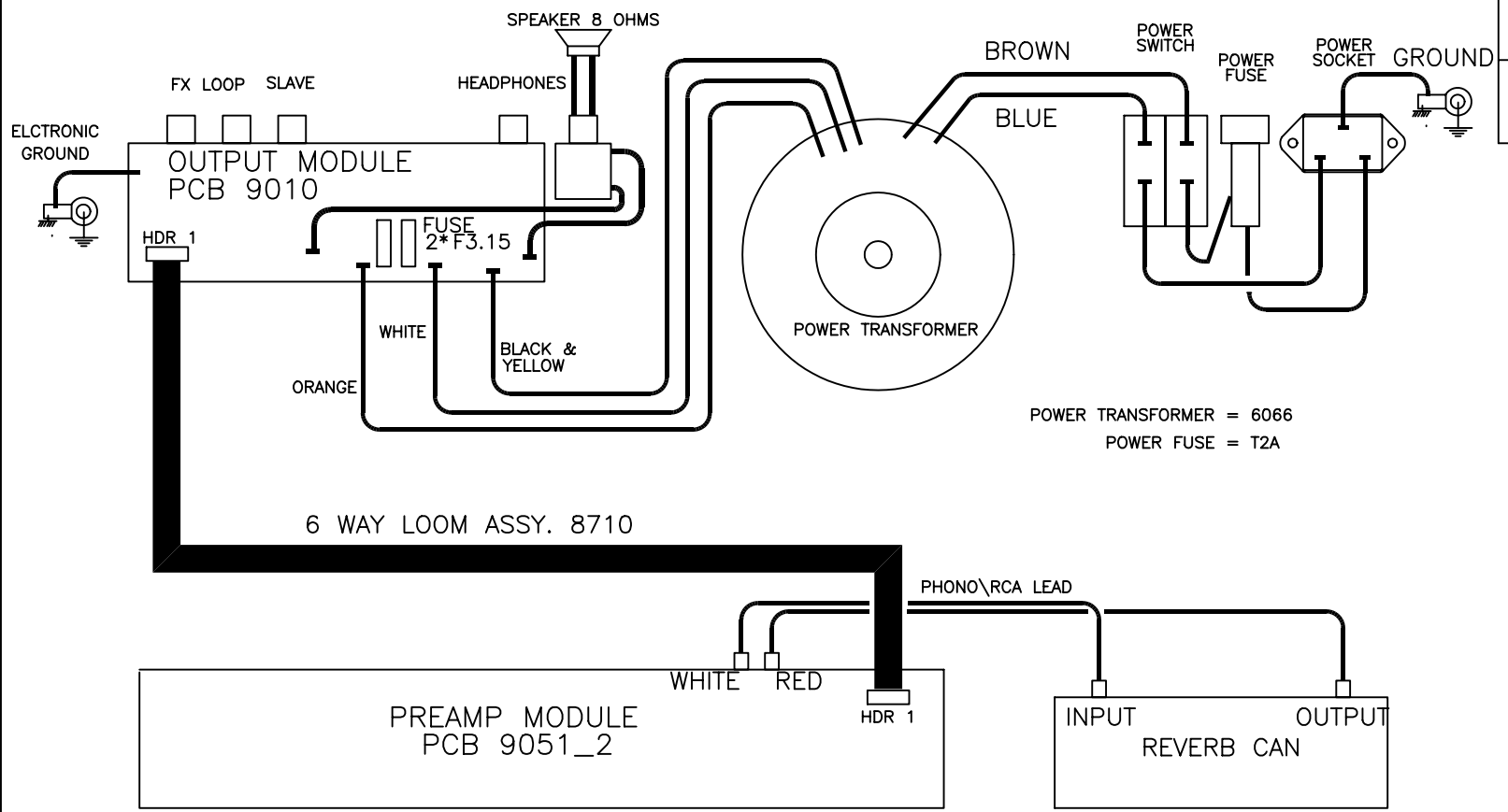


Laney

Service Diagrams

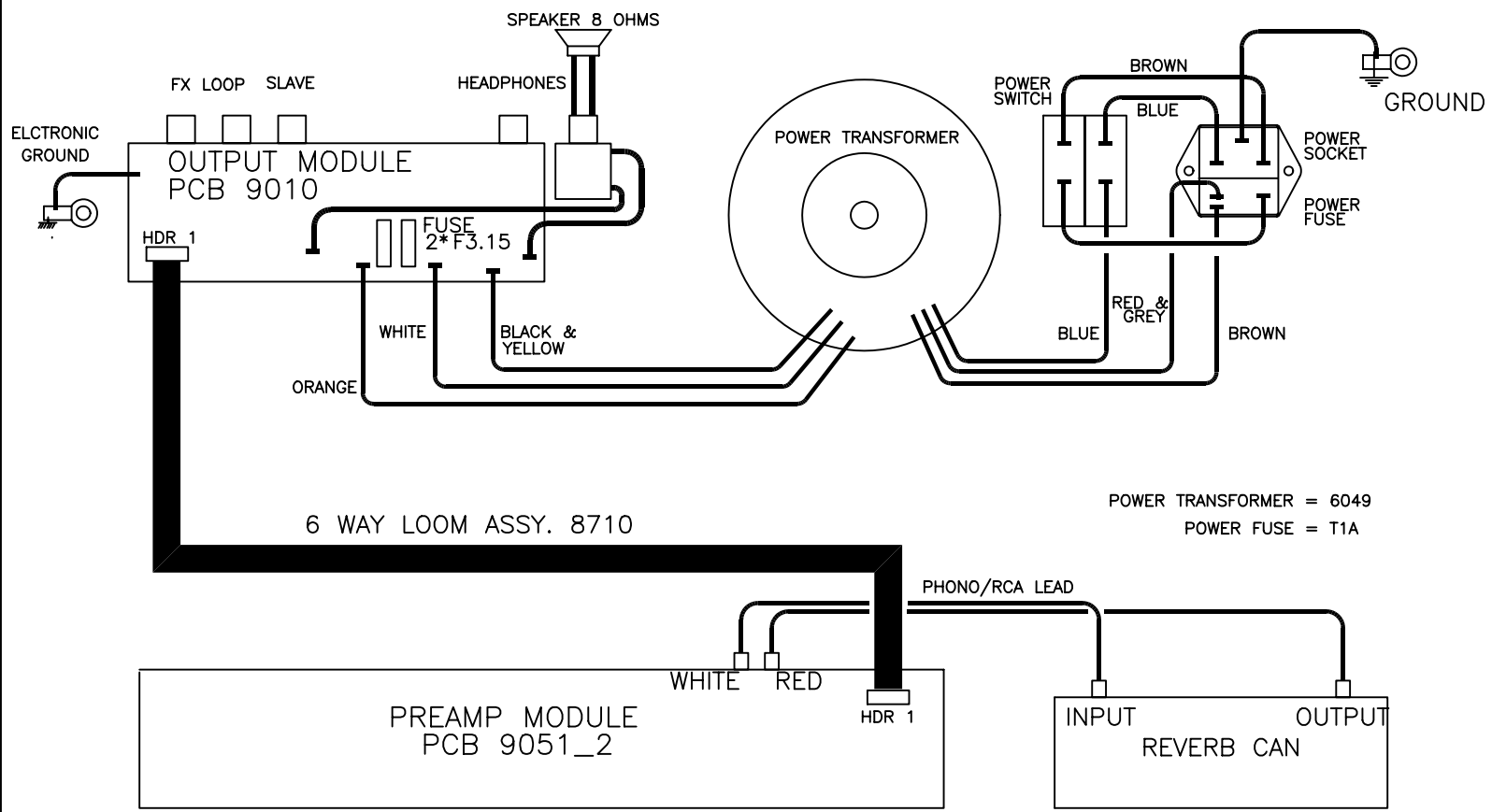


ISSUE	DESCRIPTION	APPD.	DATE

LANEY

TITLE
GC50 SCHEMATIC
100\120V SPEC.
PART No

DRAWN	TRACED	CHECKED	APPROVED	DATE
S.L.				26/08/94
DRAWING No.		2289		

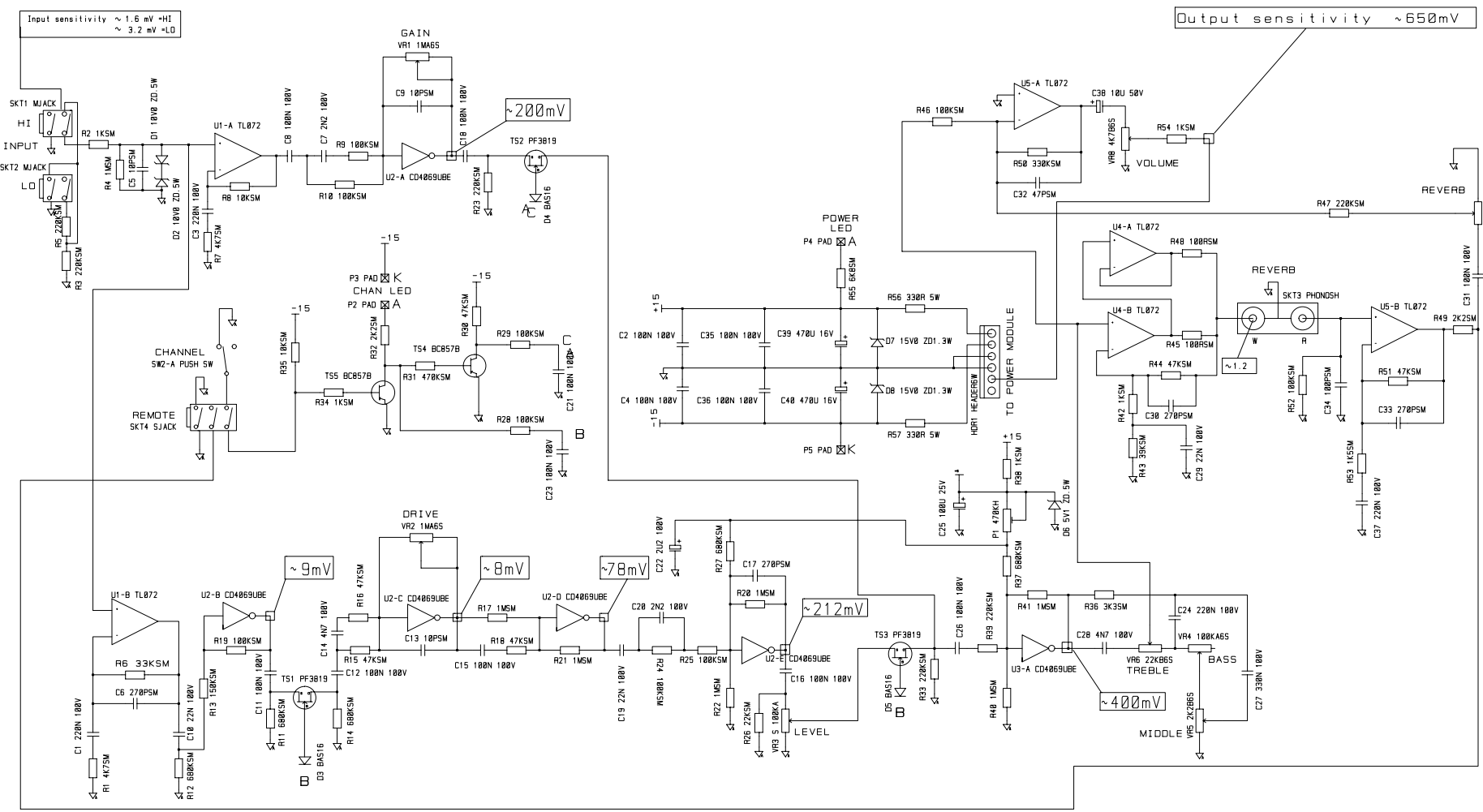


ISSUE	DESCRIPTION	APPD.	DATE

LANEY

TITLE
 GC50 SCHEMATIC
 220\240V SPEC.
 PART No

DRAWN	TRACED	CHECKED	APPROVED	DATE
S.L.				26/08/94
DRAWING No.		2290		

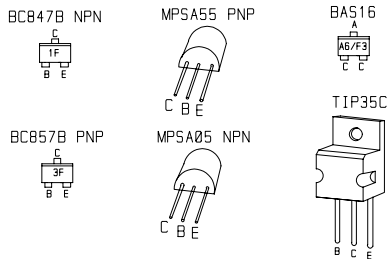
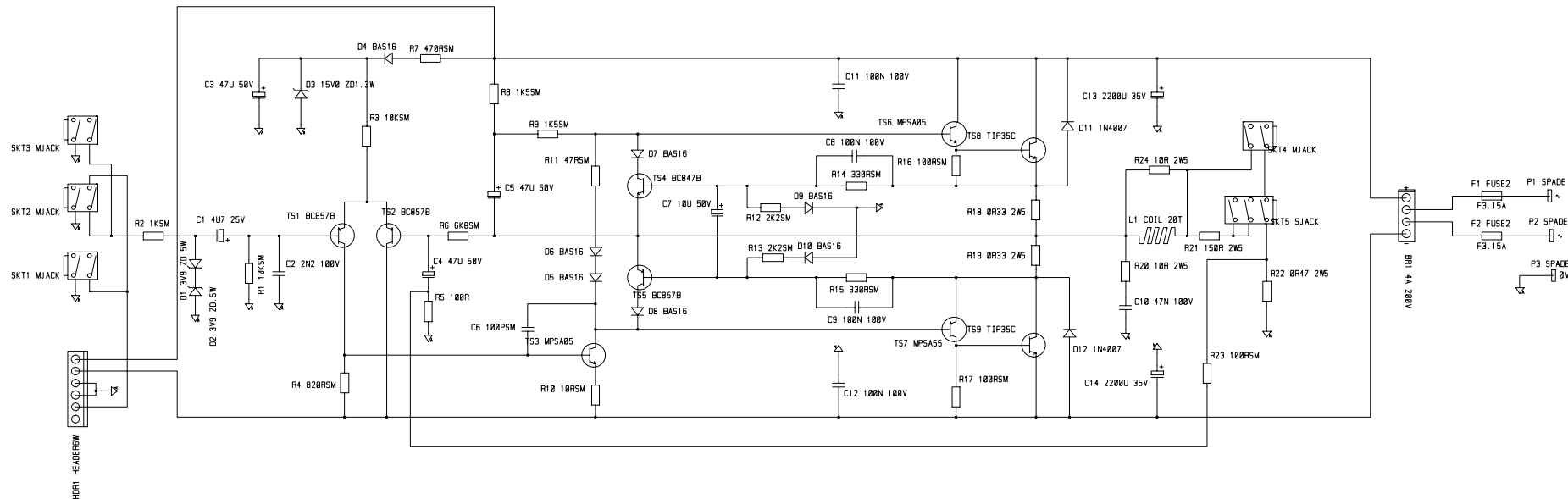


Input sensitivity = GAIN, TONE AND VOLUME CONTROLS TURNED UP TO MAXIMUM
 Overdrive sensitivity = LEVEL CONTROL UP FULL AND DRIVE SWITCHED UP TILL CLIPS (APPROX 2)

Output sensitivity ~650mV

DRAWN	DEH
DATE	14/03/94
TITLE	LGC30/50 PREAMP
DRW. NO.	9051_2

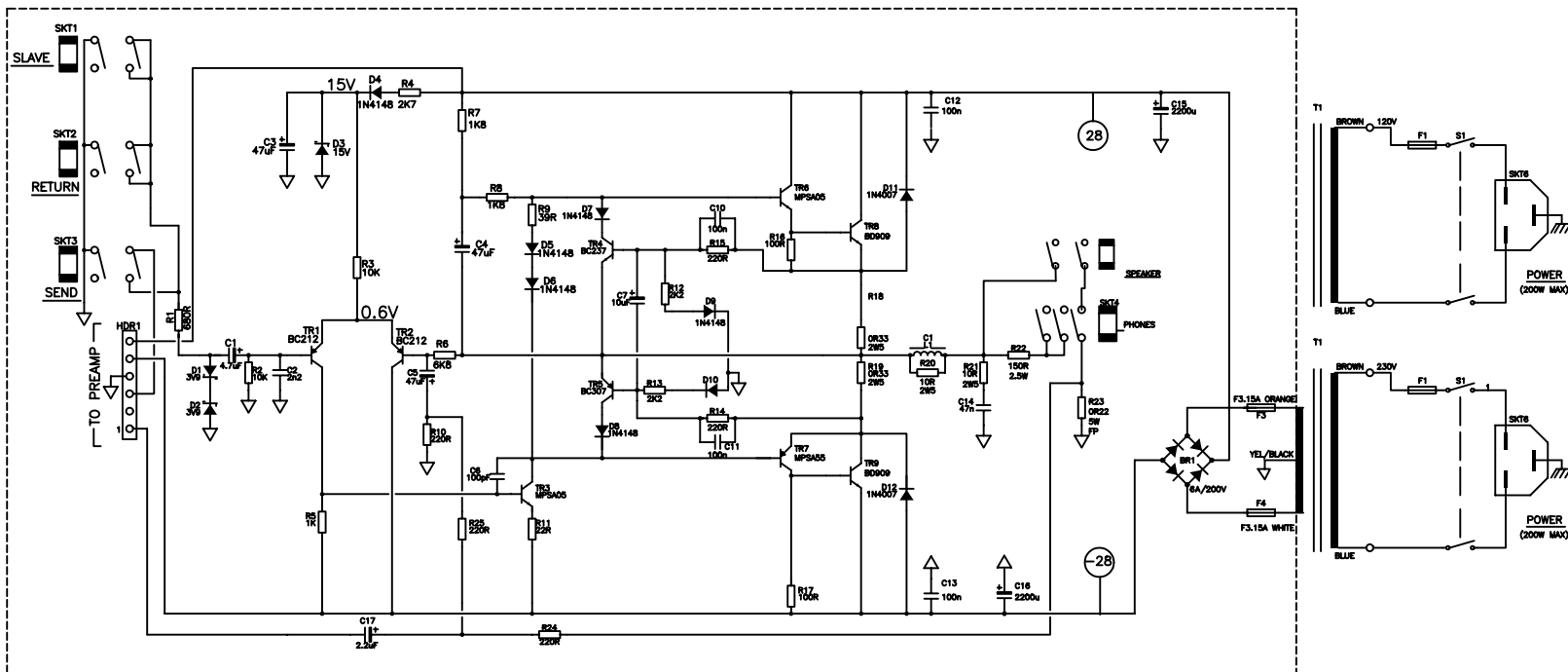
ISSUE RB CHANGE FROM 33K TO 10K
 SEE MOD. SHEET 0001
 04/10/94



NOTE: - BASS VERSION R5=220R R22=LINK C13/14=3300U

DRAWN	DEH
DATE	15/3/99
TITLE	50-65W OUTPUT MODULE
DRW. NO.	9074_2

ISSUE							
TYPE							



ISSUE	DESCRIPTION	APPD.	DATE

LANEY

TITLE
 50 - 65 WATT OUTPUT
 BOARD No.9010
 PART No

DRAWN	TRACED	CHECKED	APPROVED	DATE
S.L.				30/08/94
DRAWING No.		2316		