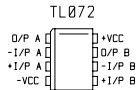
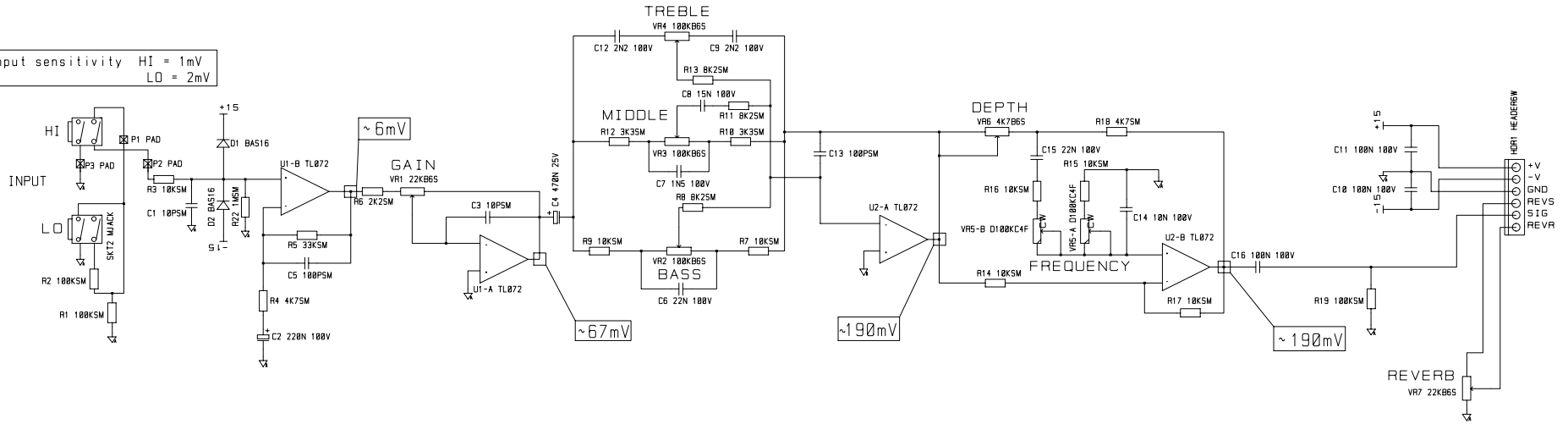


Laney

Service Diagrams

Input sensitivity HI = 1mV
LO = 2mV



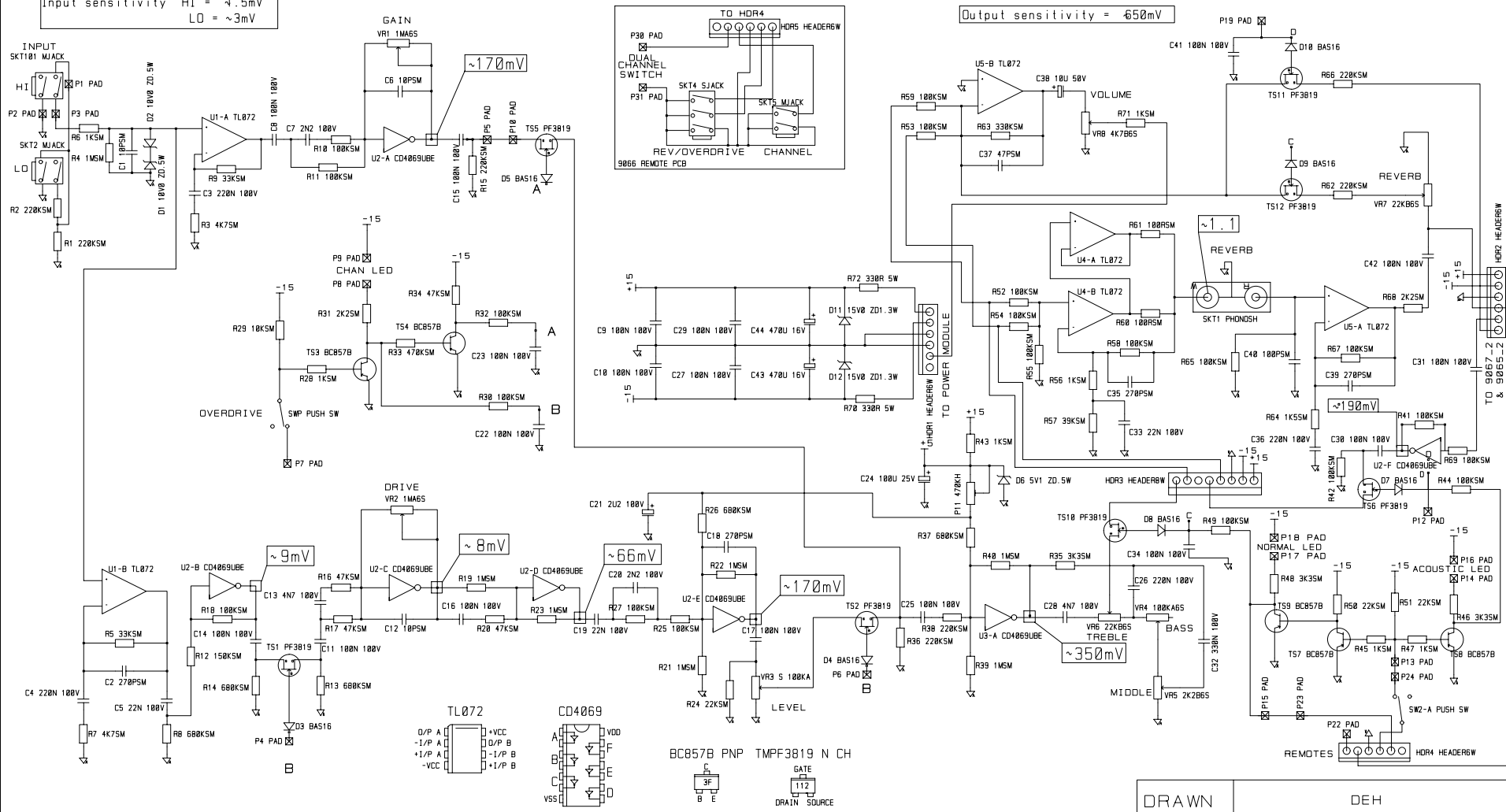
Input sensitivity = GAIN, TONE AND VOLUME CONTROLS UP TO MAXIMUM
FREQUENCY AND DEPTH FULLY ANTI-CLOCKWISE.

DRAWN	DEH
DATE	15/04/94
TITLE	ACOUSTIC CHANNEL
DRW. NO.	9065_2

ISSUE							
TYPE							

Input sensitivity HI = 4.5mV
LO = ~3mV

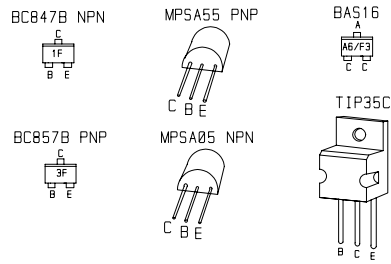
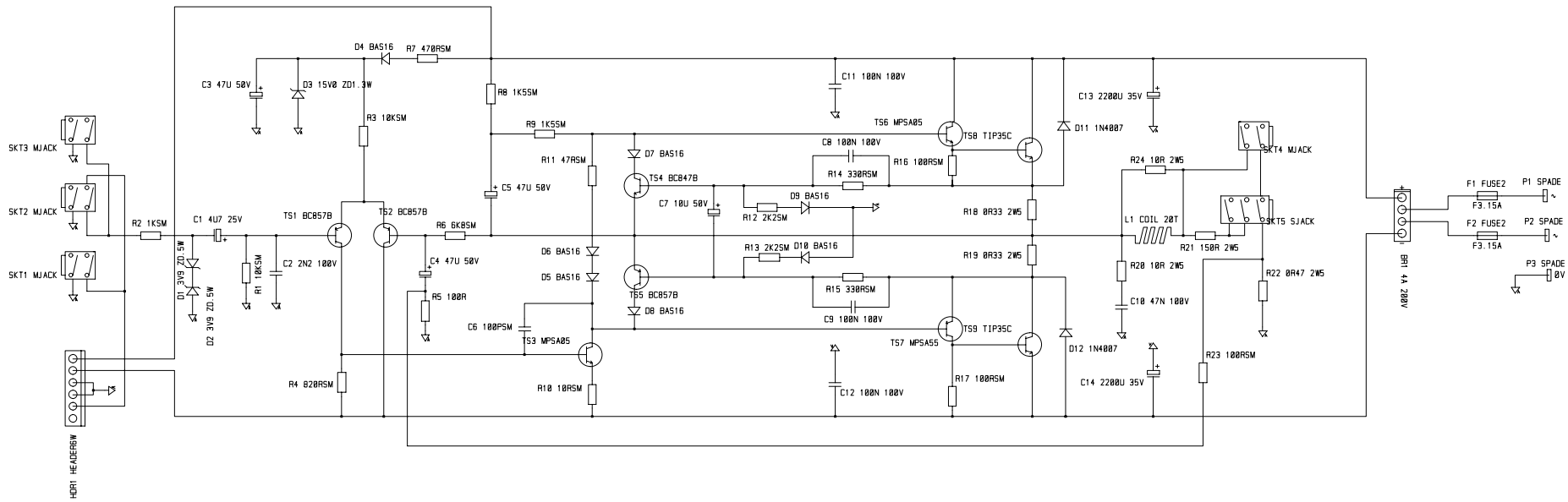
Output sensitivity = 650mV



Input sensitivity = GAIN, TONE AND VOLUME CONTROLS UP TO MAXIMUM (APPROX. 2)
Overdrive sensitivity = LEVEL CONTROL UP FULL AND DRIVE TURNED UP TILL IT CLIPS

DRAWN	DEH
DATE	15/04/94
TITLE	NORMAL_CHANNEL PREAMP_MODULE
DRW. NO.	9066_2

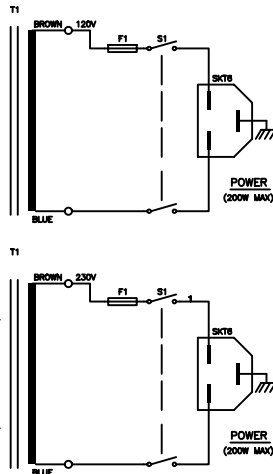
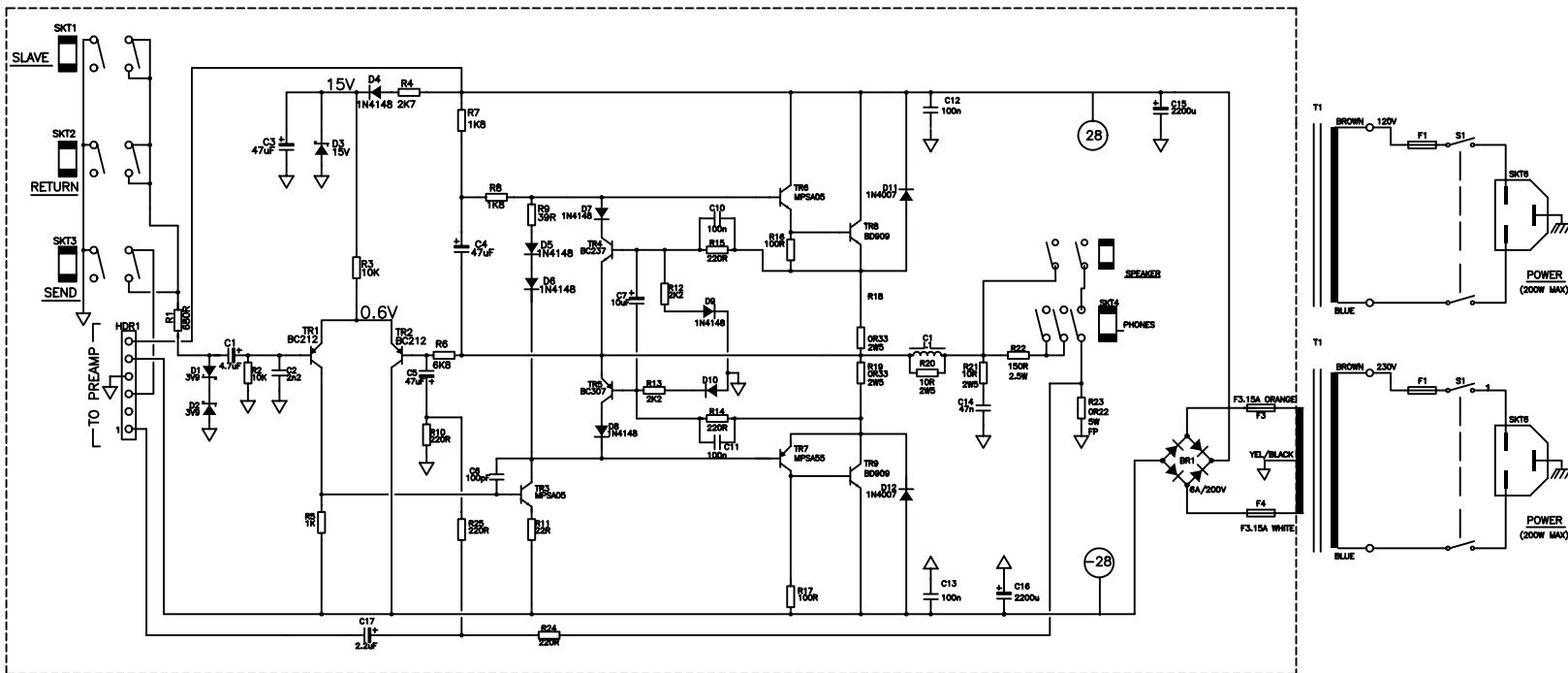
ISSUE	
TYPE	



DRAWN	DEH
DATE	15/3/99
TITLE	50-65W OUTPUT MODULE
DRW. NO.	9074_2

NOTE: - BASS VERSION R5=220R R22=LINK C13/14=3300U

ISSUE							
TYPE							



ISSUE	DESCRIPTION	APPD. DATE

LANEY

TITLE
 50 - 65 WATT OUTPUT
 BOARD No.9010
 PART No

DRAWN	TRACED	CHECKED	APPROVED	DATE
S.L.				30/08/94
DRAWING No.		2316		