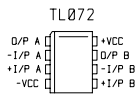
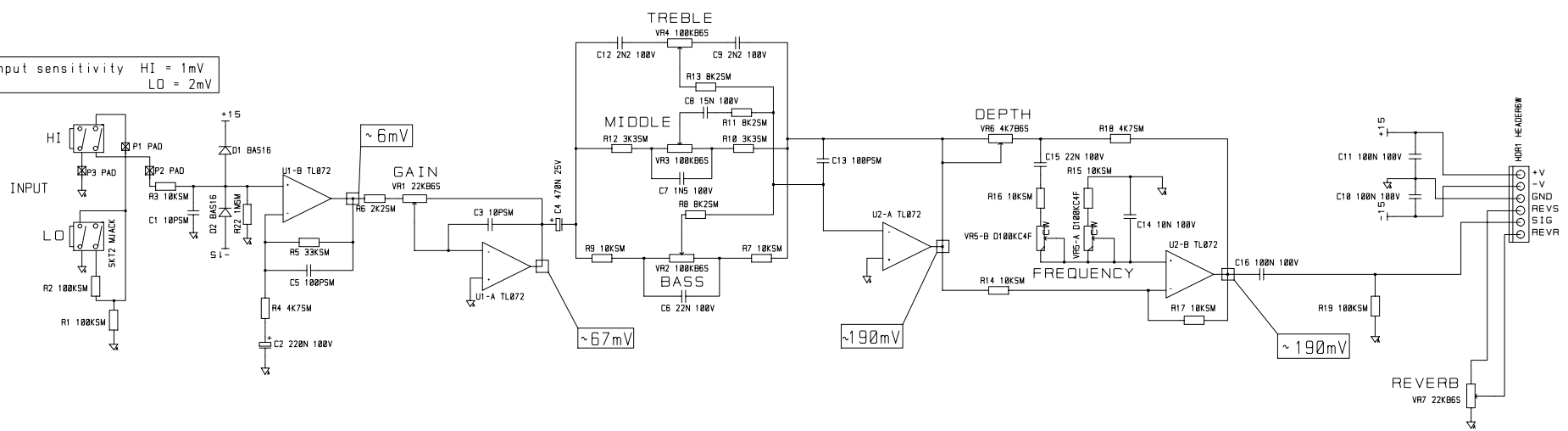


Laney

Service Diagrams

Input sensitivity HI = 1mV
LO = 2mV



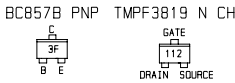
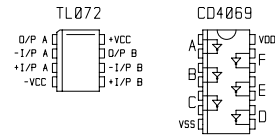
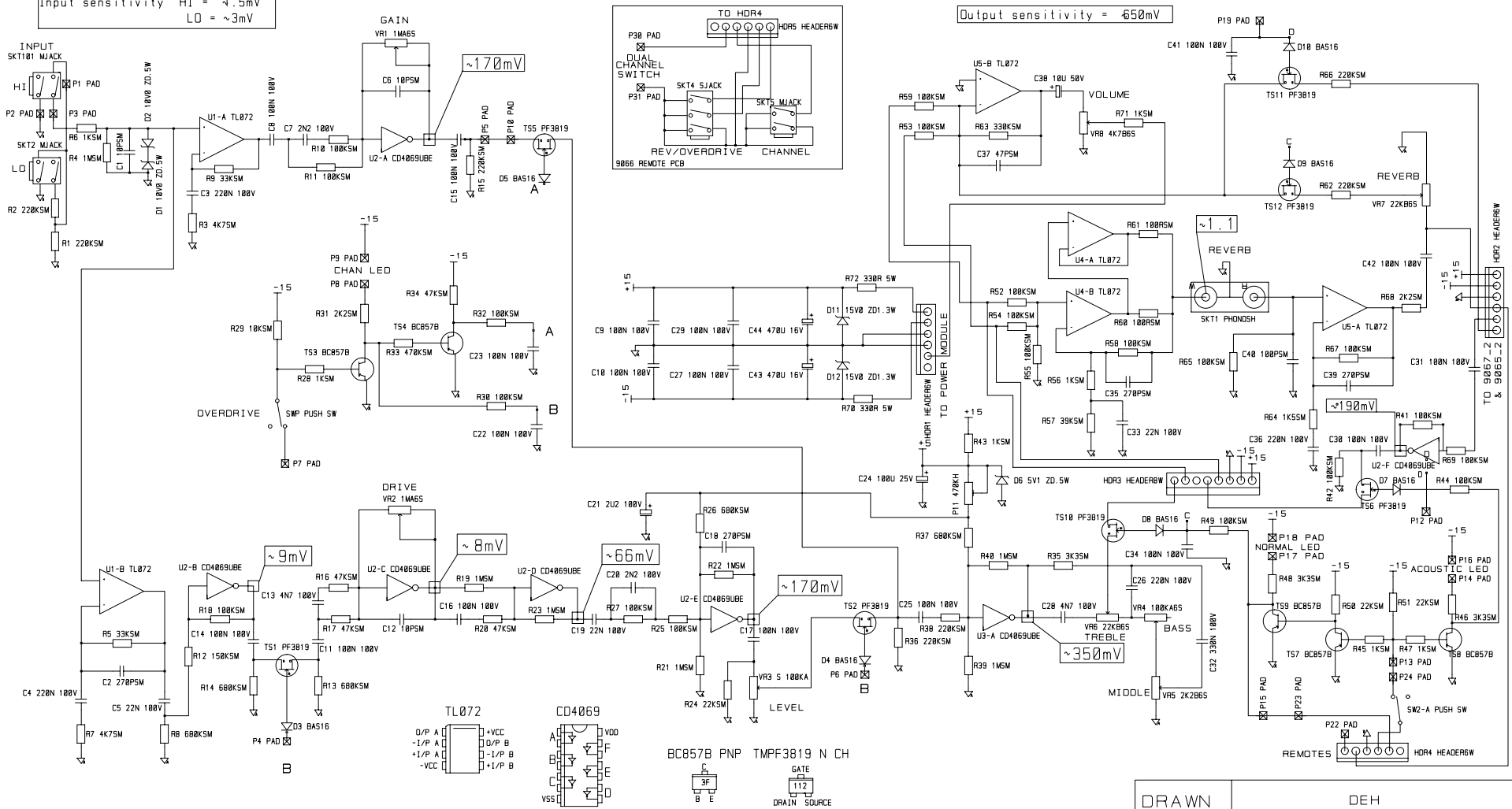
Input sensitivity = GAIN, TONE AND VOLUME CONTROLS UP TO MAXIMUM
FREQUENCY AND DEPTH FULLY ANTI-CLOCKWISE.

DRAWN	DEH
DATE	15/04/94
TITLE	ACOUSTIC CHANNEL
DRW. NO.	9065_2

ISSUE							
TYPE							

Input sensitivity HI = 4.5mV
LO = ~3mV

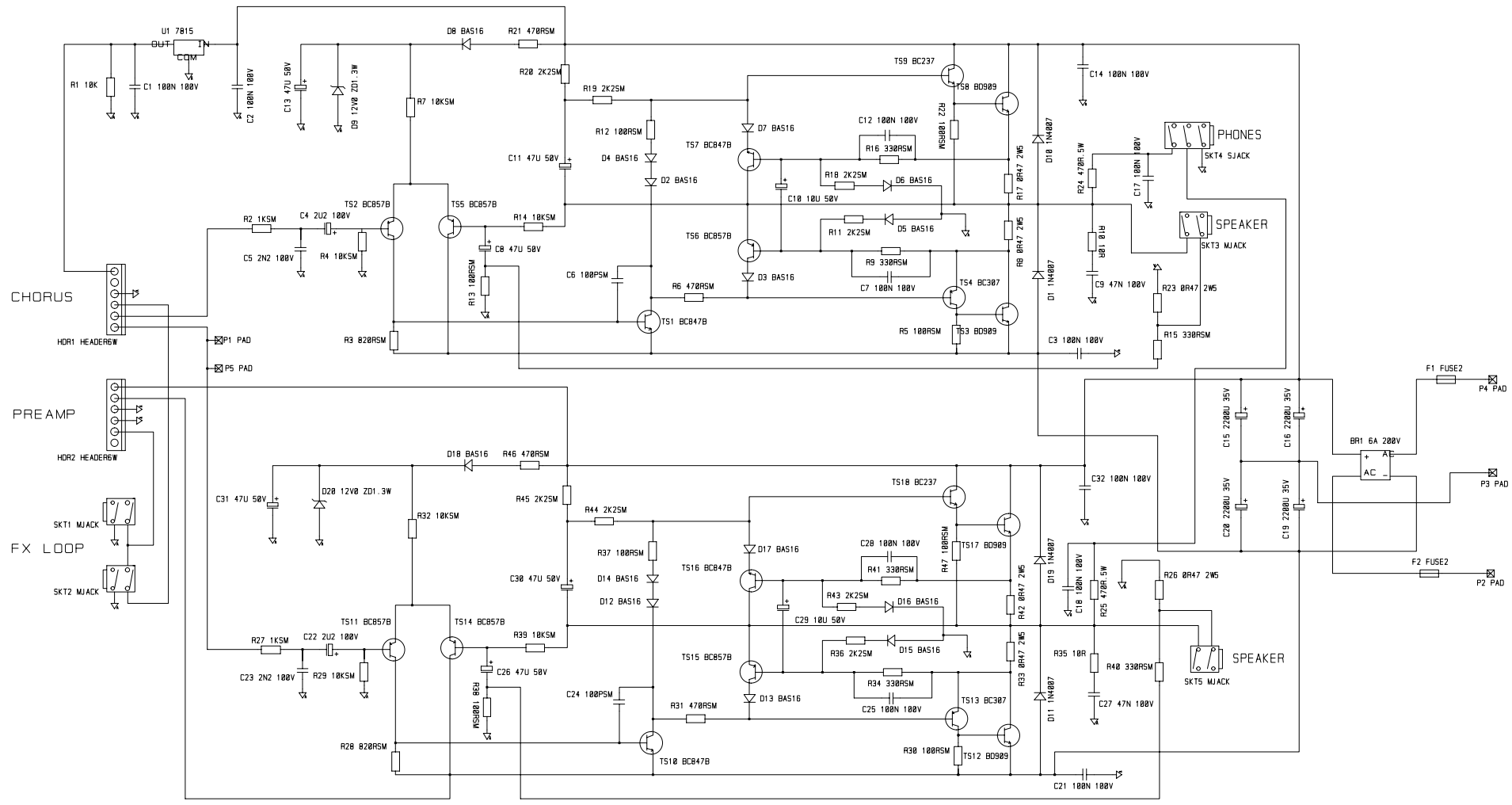
Output sensitivity = 650mV



Input sensitivity = GAIN, TONE AND VOLUME CONTROLS UP TO MAXIMUM (APPROX. 2)
Overdrive sensitivity = LEVEL CONTROL UP FULL AND DRIVE TURNED UP TILL IT CLIPS

DRAWN	DEH
DATE	15/04/94
TITLE	NORMAL CHANNEL PREAMP MODULE
DRW. NO.	9066_2

ISSUE	
TYPE	



DRAWN	D. E. H.
DATE	30/6/94
TITLE	GC60C OUTPUT MODULE
DRW. NO.	9073_2

ISSUE

TYPE