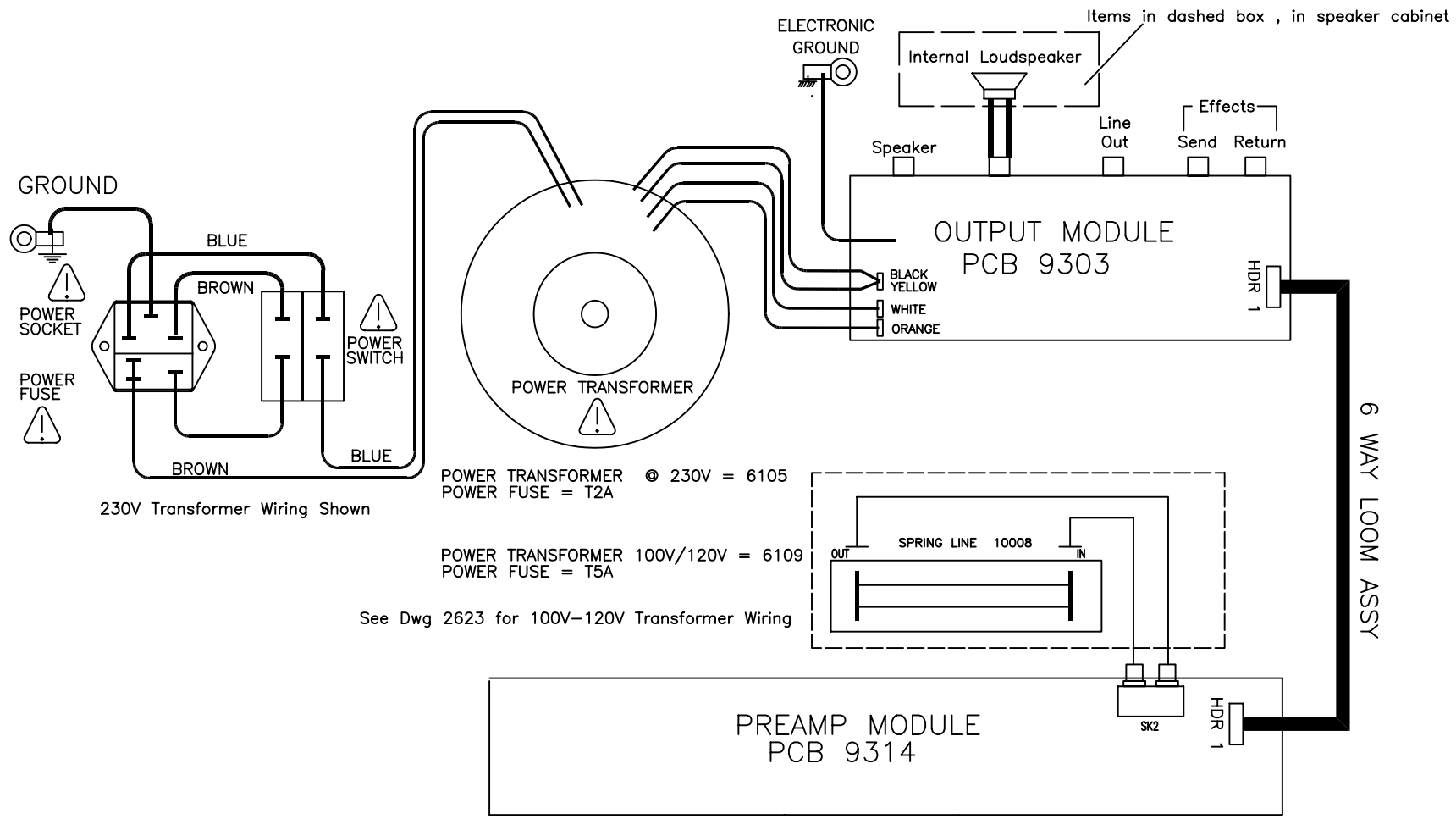


Laney

Service Diagrams



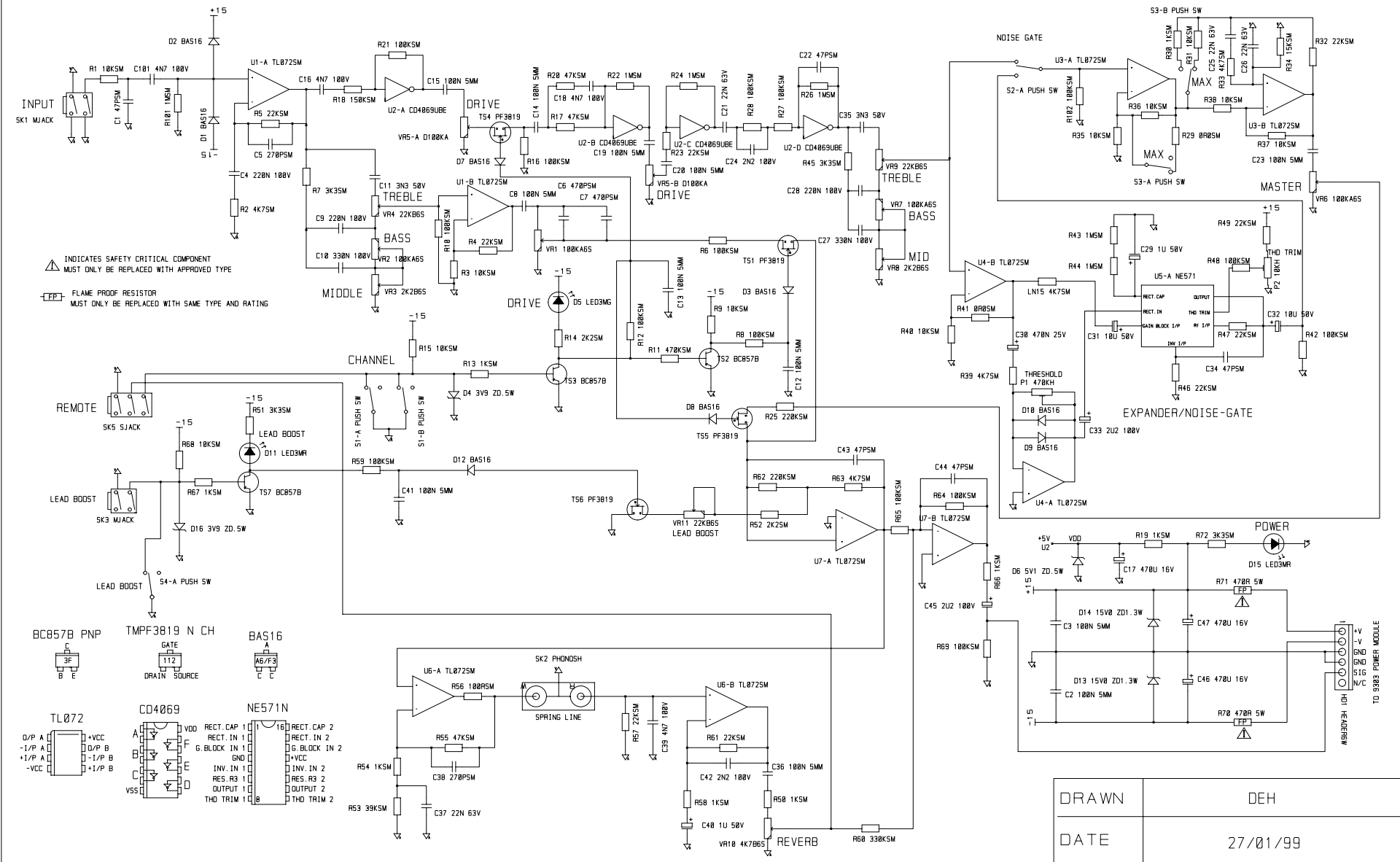
⚠ =SAFETY CRITICAL COMPONENT ONLY REPLACE WITH SAME TYPE AND RATING

ISSUE	DESCRIPTION	APPD.	DATE

BLT
Industries Ltd.

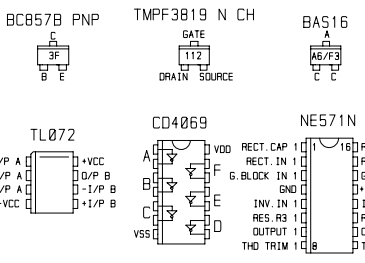
TITLE
HCM120R / HCM120H
Service Diagram
PART No

DRAWN	TRACED	CHECKED	APPROVED	DATE
R.J.F.				13/01/99
DRAWING No.		2905		



INDICATES SAFETY CRITICAL COMPONENT
MUST ONLY BE REPLACED WITH APPROVED TYPE

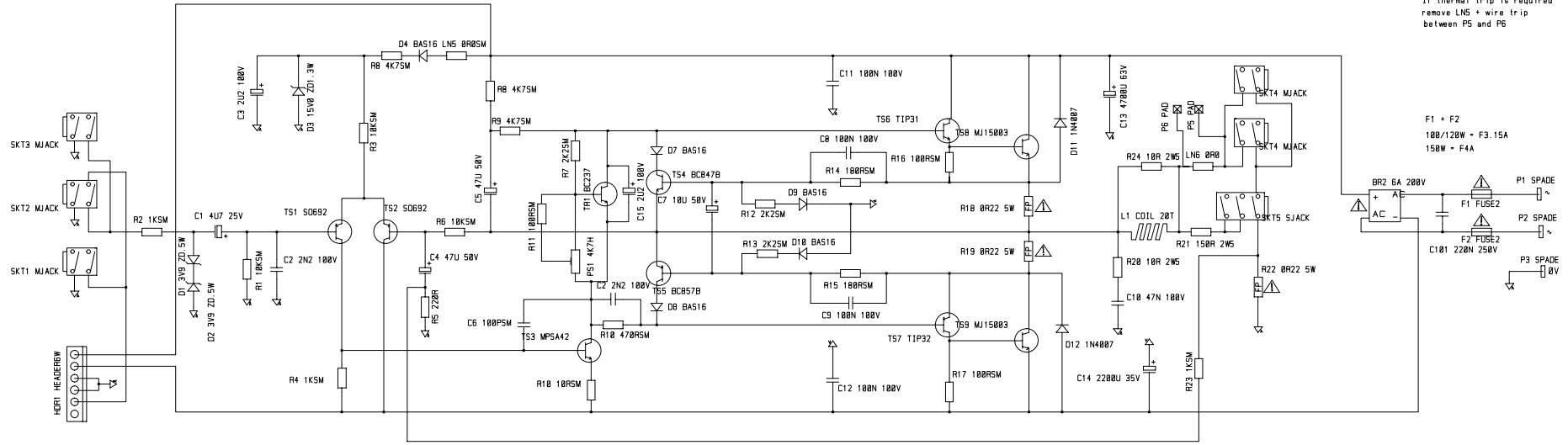
FLAME PROOF RESISTOR
MUST ONLY BE REPLACED WITH SAME TYPE AND RATING



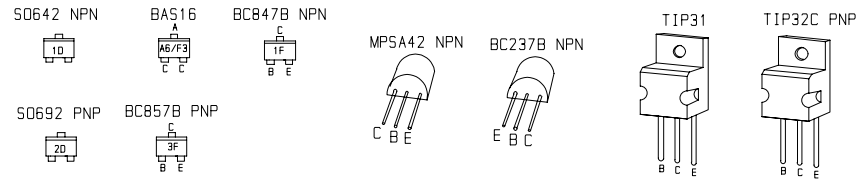
DRAWN	DEH
DATE	27/01/99
TITLE	HCM120R
DRW. NO.	9314_2

▲ INDICATES SAFETY CRITICAL COMPONENT.
 MUST ONLY BE REPLACED WITH APPROVED COMPONENT.
 [FP] FLAMEPROOF RESISTOR
 MUST ONLY BE REPLACED WITH SAME TYPE AND RATING.

If thermal trip is required
 remove LNS + wire trip
 between P5 and P6



F1 + F2
 100/120W = F3.15A
 150W = F4A



DRAWN	R. J. F
DATE	11/3/99
TITLE	100-150W OUTPUT MODULE
DRW. NO.	9303_2

ISSUE	30/9/98 ISSUE 2	22/02/99			
TYPE	R5 FROM 100R TO 220R R23 FROM 100R TO 1K SEE CHANGE NOTE 186	R22 from 0r47 to 0r22 5WFP			