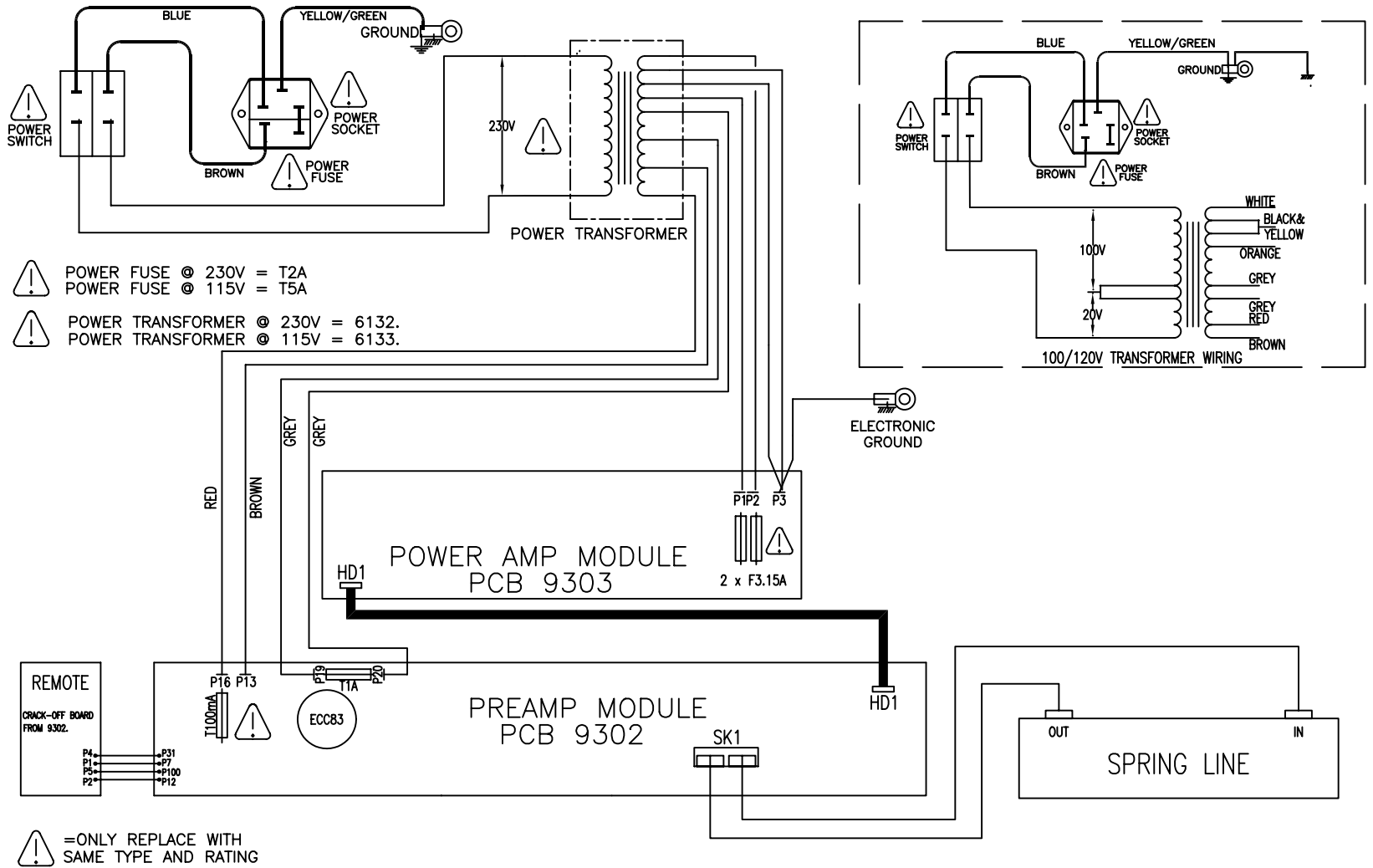


Laney

Service Diagrams

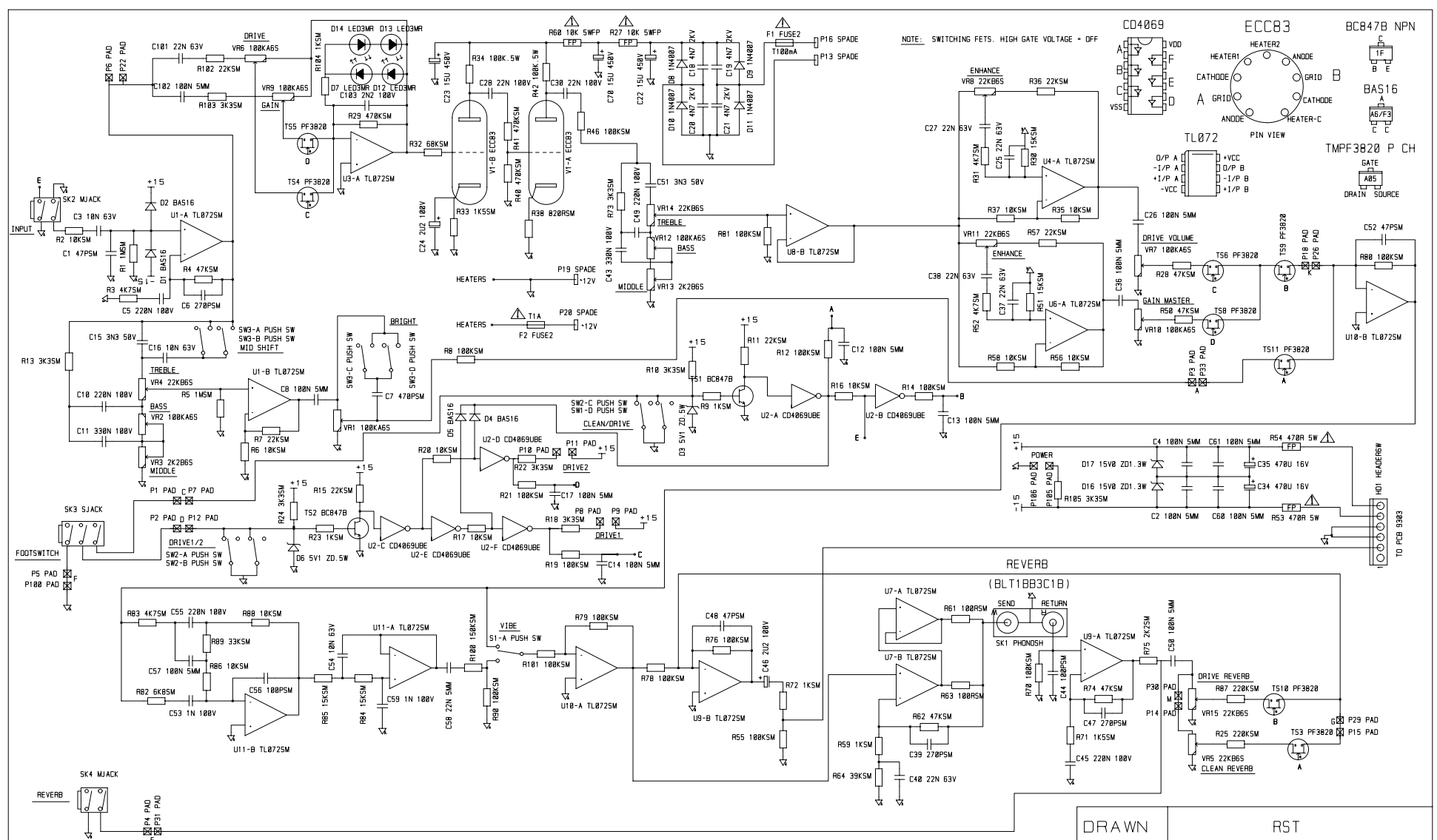


ISSUE	DESCRIPTION	APPD.	DATE

BLT
Industries Ltd.

TITLE
TF700 SERVICE
DIAGRAM
PART No



DRAWN	TRACED	CHECKED	APPROVED	DATE
S.L.				29/06/98
DRAWING No.		2839		



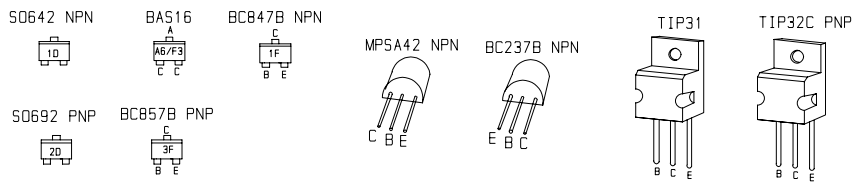
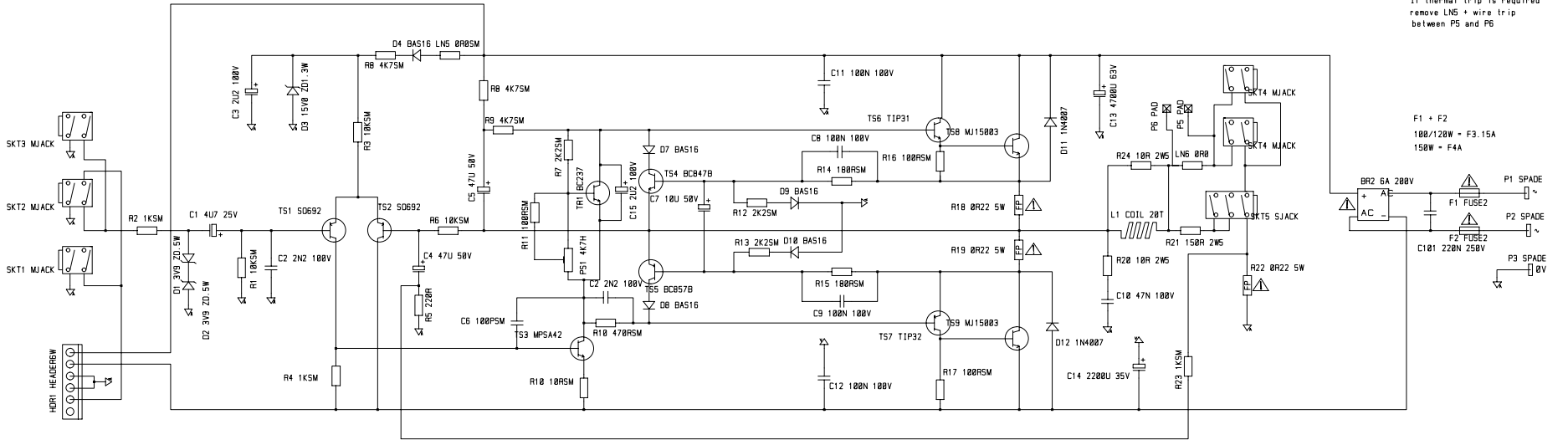
⚠ INDICATES SAFETY CRITICAL COMPONENT
MUST ONLY BE REPLACED WITH APPROVED TYPE
⚡ F1 - FLAMEPROOF RESISTOR MUST ONLY BE REPLACED WITH SAME TYPE AND RATING

DRAWN	RST
DATE	23/4/99
TITLE	TUBE FUSION TF300/320/700
DRW. NO.	9302_5

ISSUE	BOARD ISSUE 3 02/07/98	ISSUE 3	ISSUE 4	ISSUE 5
TYPE	C65 ADDED PRODUCTION CHANGES REFER NOTE 163	R104 CHANGED FROM 10K TO 1K SEE CHANGE NOTE 172 27/6/98	NOT RELEASED TO PRODUCTION 26/3/99	DRIVE SWITCHING CHANGED TO ELIMINATE LEAKAGE 23/4/99 R4 FROM 68K TO 47K

 INDICATES SAFETY CRITICAL COMPONENT.
 MUST ONLY BE REPLACED WITH APPROVED COMPONENT.
 FLAMEPROOF RESISTOR.
 MUST ONLY BE REPLACED WITH SAME TYPE AND RATING.

If thermal trip is required
 remove LNS + wire trip
 between PS and P6



DRAWN	R. J. F
DATE	11/3/99
TITLE	100-150W OUTPUT MODULE
DRW. NO.	9303_2

ISSUE	30/9/98 ISSUE 2	22/02/99			
TYPE	R5 FROM 100R TO 220R R23 FROM 100R TO 1K SEE CHANGE NOTE 186	R22 from 0r47 to 0r22 5WFP			