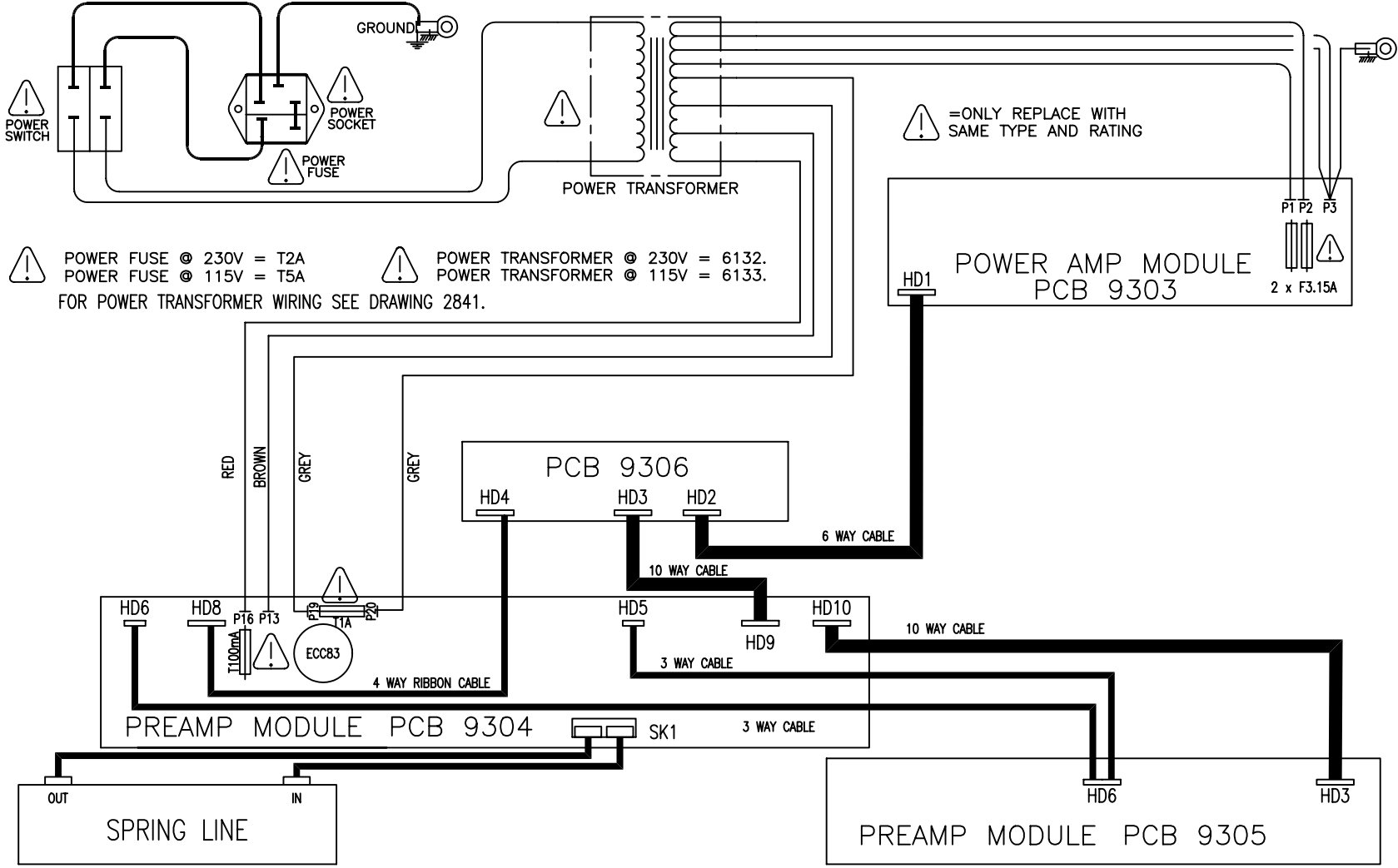


Laney

Service Diagrams

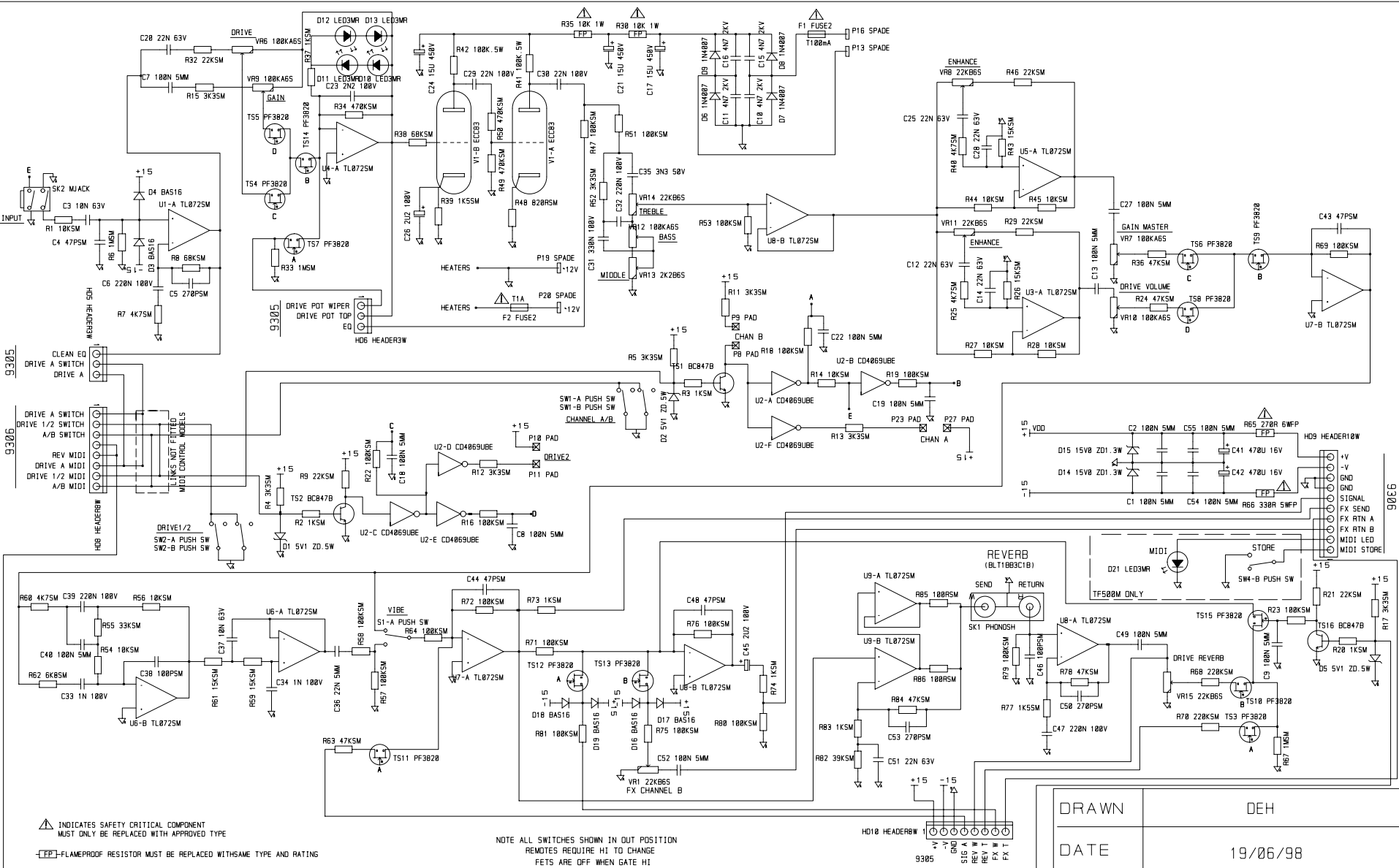


ISSUE	DESCRIPTION	APPD.	DATE

BLT
Industries Ltd.

TITLE
TF800 SERVICE
DIAGRAM
PART No

DRAWN	TRACED	CHECKED	APPROVED	DATE
S.L.				29/06/98
DRAWING No.		2840		



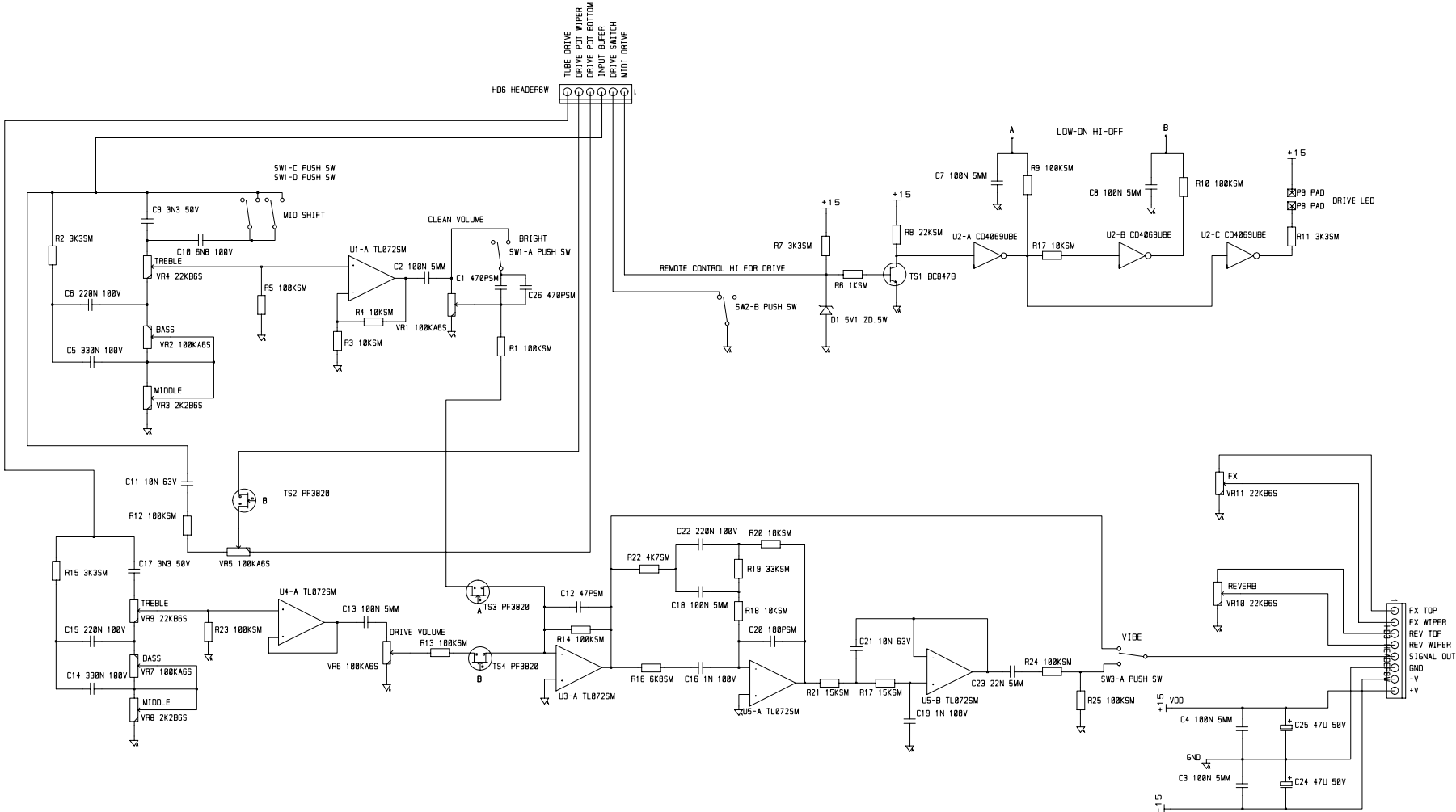
△ INDICATES SAFETY CRITICAL COMPONENT
MUST ONLY BE REPLACED WITH APPROVED TYPE

□-FP-FLAMEPROOF RESISTOR MUST BE REPLACED WITH SAME TYPE AND RATING

NOTE ALL SWITCHES SHOWN IN OUT POSITION
REMOTES REQUIRE HI TO CHANGE
FETS ARE OFF WHEN GATE HI

DRAWN	DEH
DATE	19/06/98
TITLE	TUBE FUSION TF400/500M/800 MAIN PREAMP
DRW. NO.	9304_3

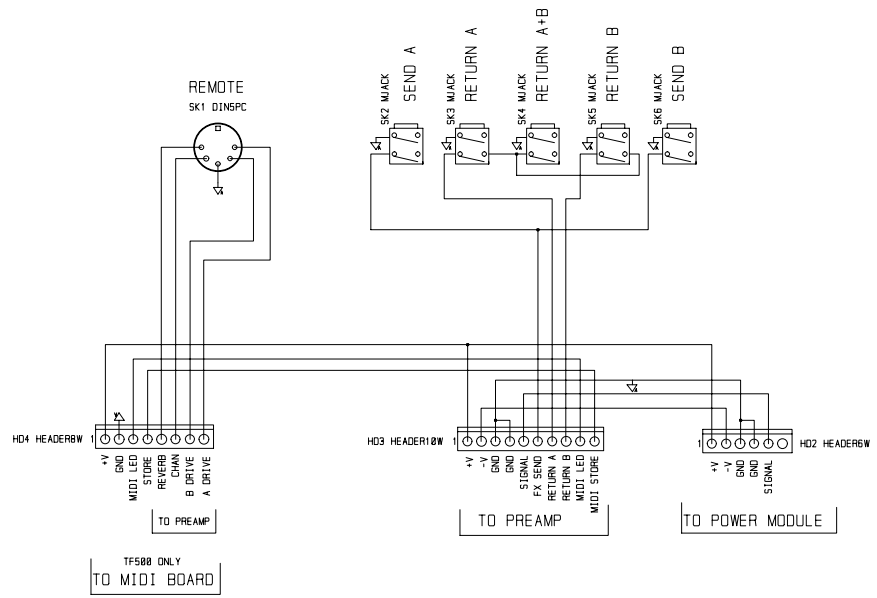
ISSUE	3 01/07/98				
TYPE	R63 from 100KSM to 47KSM R65 from 330R 5W to 270R 6W				



TO PCB 9304

DRAWN	DEH
DATE	19/06/98
TITLE	TUBE FUSION TF400/500/800 CLEAN PREAMP
DRW. NO.	9305

ISSUE	2 19/06/98			
TYPE				

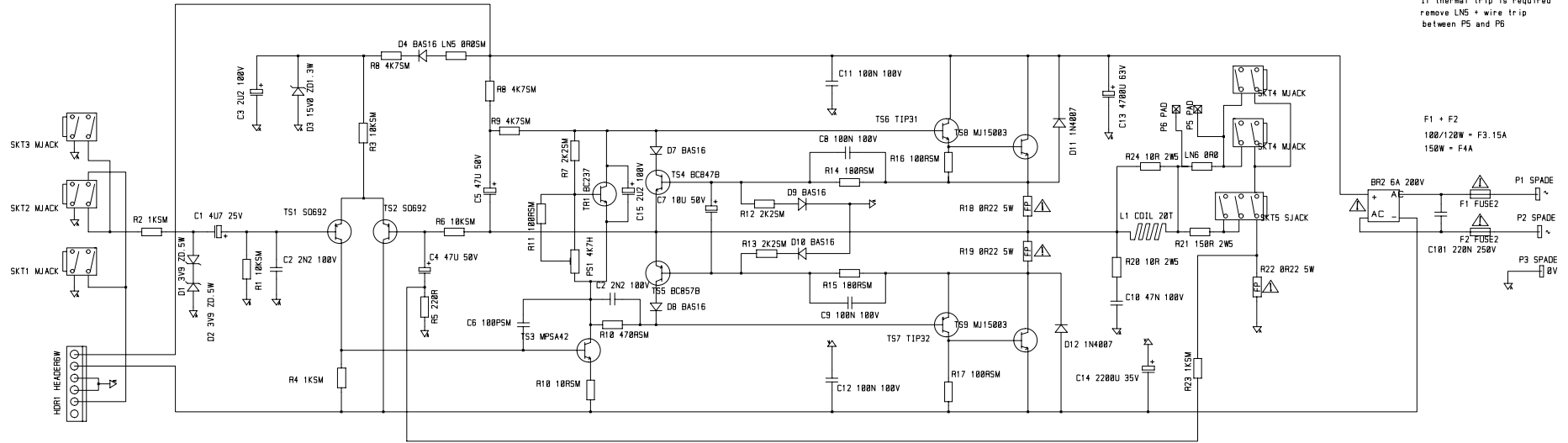


DRAWN	DEH
DATE	22/06/98
TITLE	TF400/500/800 FX I/O BOARD
DRW. NO.	9306_2

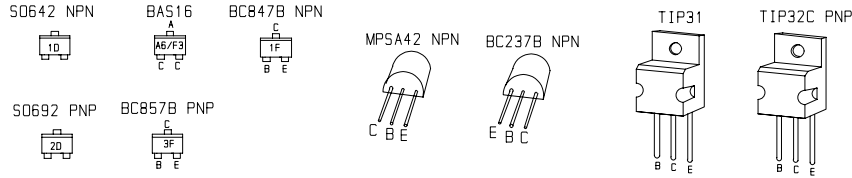
ISSUE						
TYPE						

▲ INDICATES SAFETY CRITICAL COMPONENT.
 MUST ONLY BE REPLACED WITH APPROVED COMPONENT.
 □ FFP FLAMEPROOF RESISTOR.
 □ MUST ONLY BE REPLACED WITH SAME TYPE AND RATING.

If thermal trip is required
 remove LNS + wire trip
 between P5 and P6



F1 + F2
 100/120W + F3.15A
 150W = F4A



DRAWN	R. J. F
DATE	11/3/99
TITLE	100-150W OUTPUT MODULE
DRW. NO.	9303_2

ISSUE	30/9/98 ISSUE 2	22/02/99				
TYPE	R5 FROM 100R TO 220R R23 FROM 100R TO 1K SEE CHANGE NOTE 186	R22 from 0r47 to 0r22 5WFP				