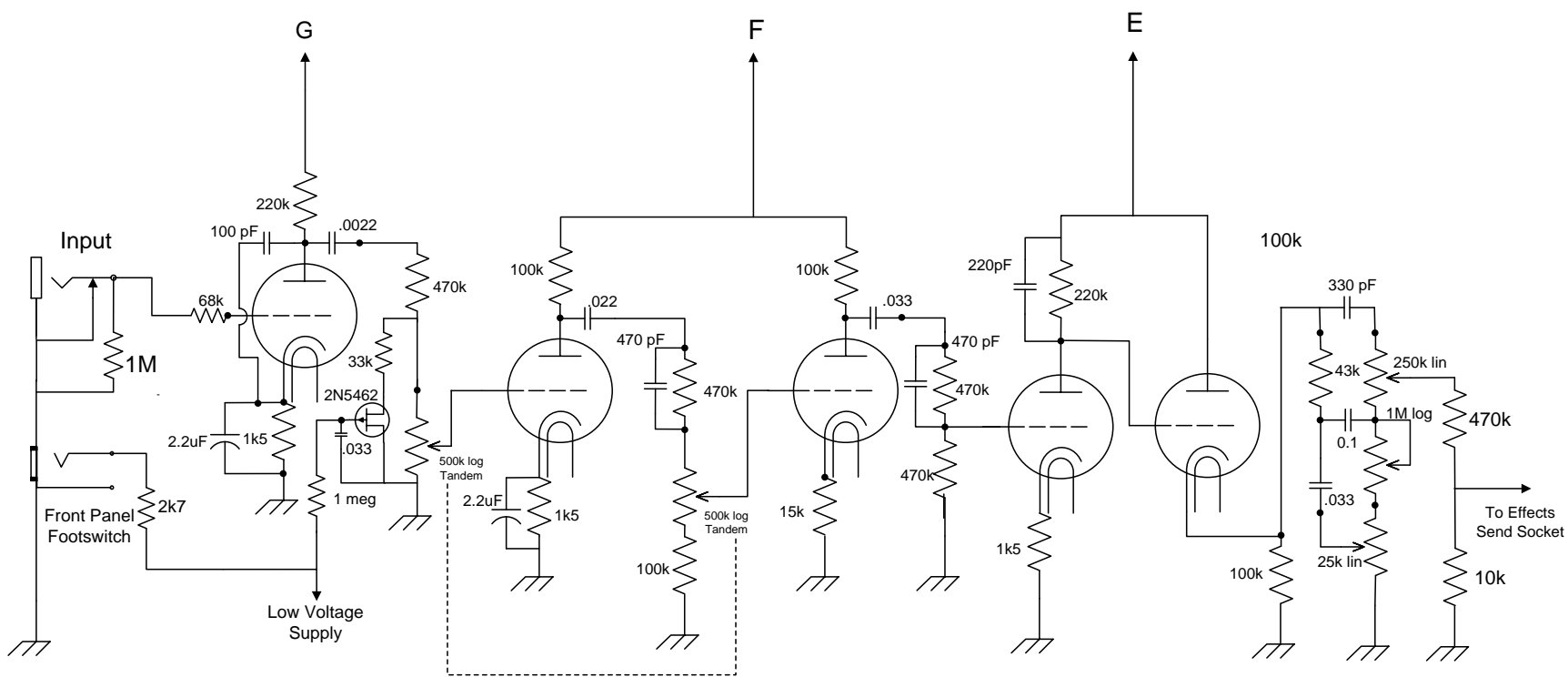


# RK100 Pre-amp

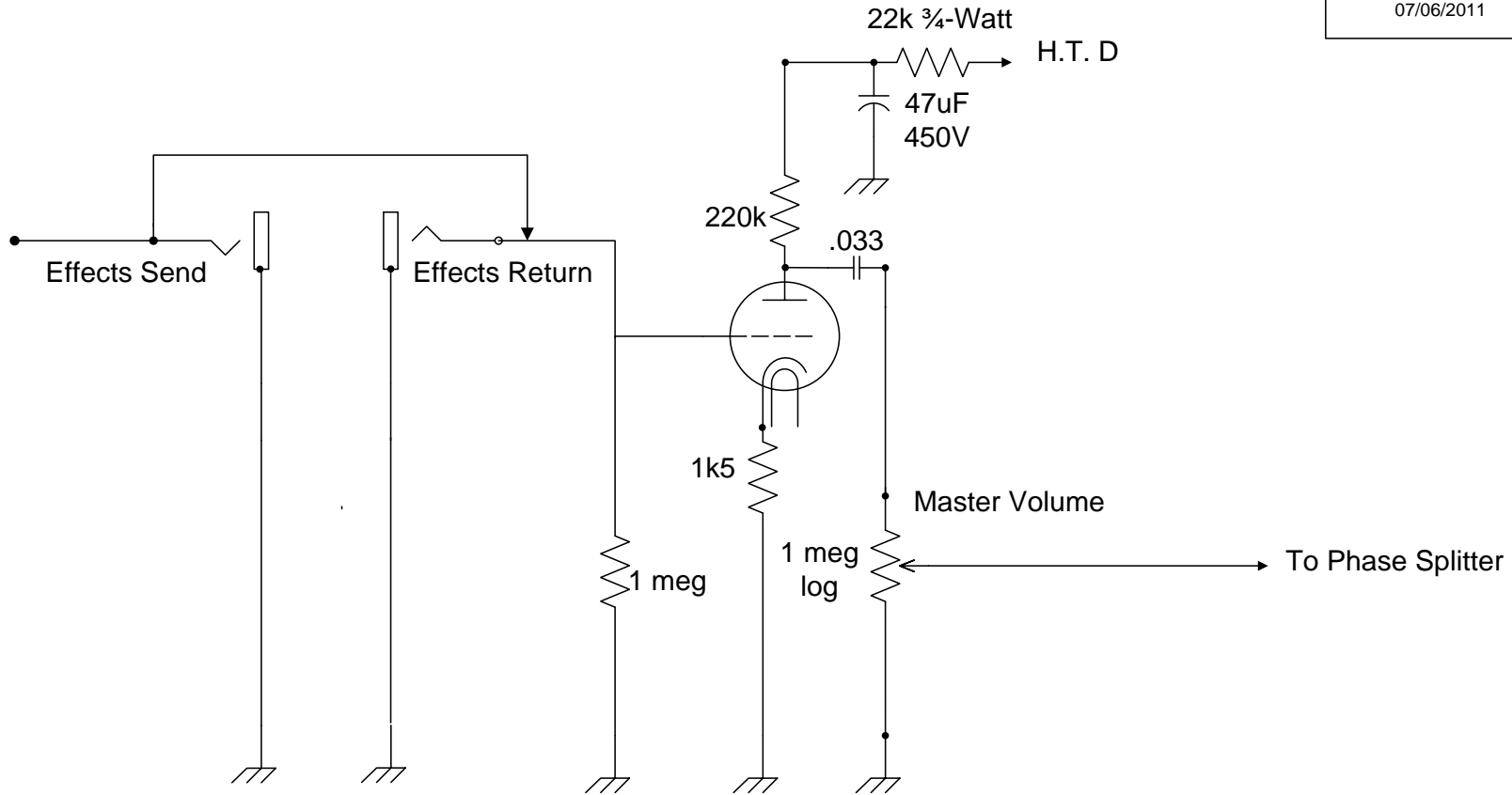
RK100 Schematic
Design By: Martin Kidd
Drawn By: Martin Kidd
07/06/2011



Note: All capacitors 400V unless otherwise stated. All resistors ½ W unless otherwise stated

# RK100 Effects Loop

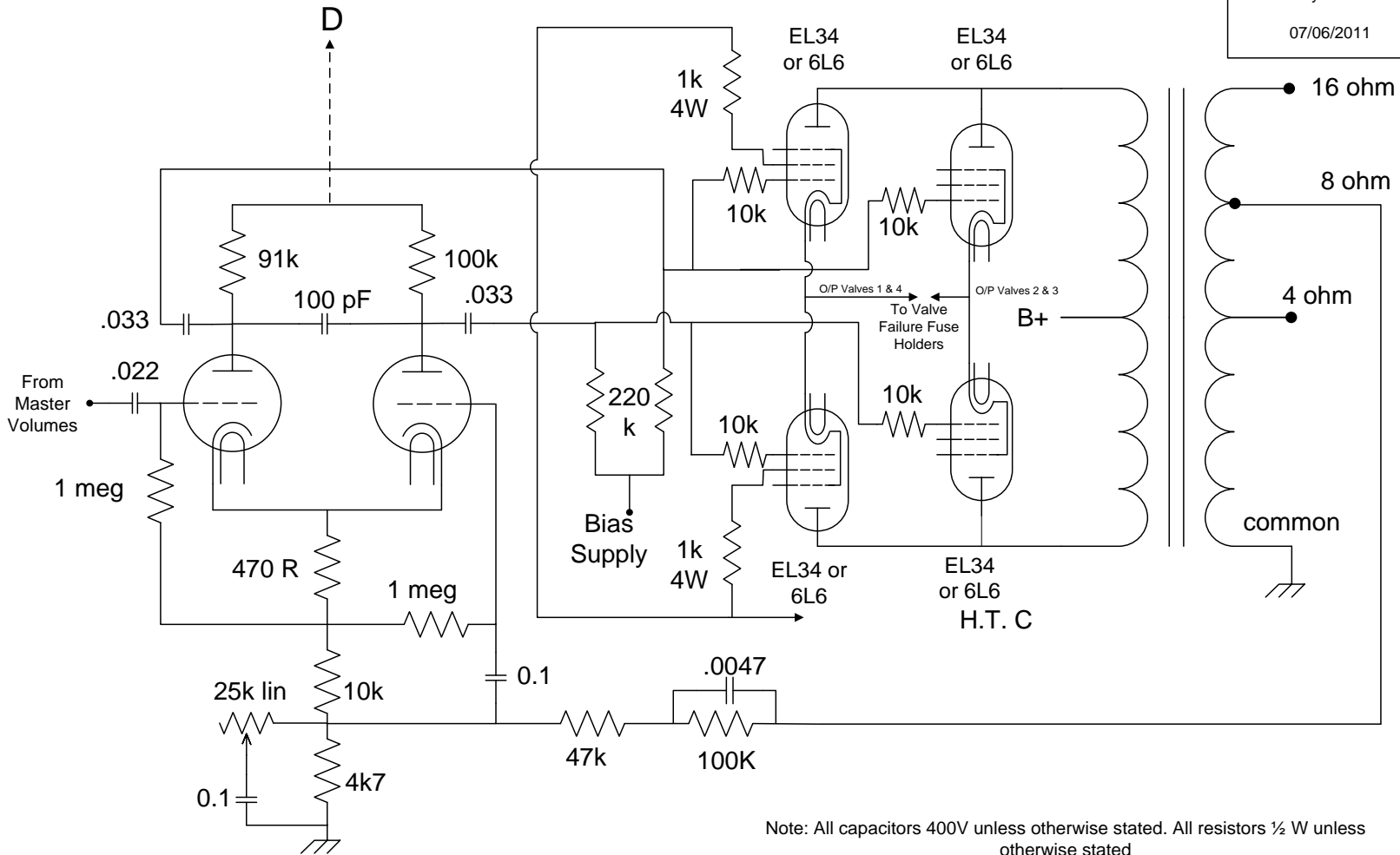
RK100 Schematic  
Design By: Martin Kidd  
Drawn By: Martin Kidd  
07/06/2011



Note: All capacitors 400V unless otherwise stated. All resistors 1/2 W unless otherwise stated

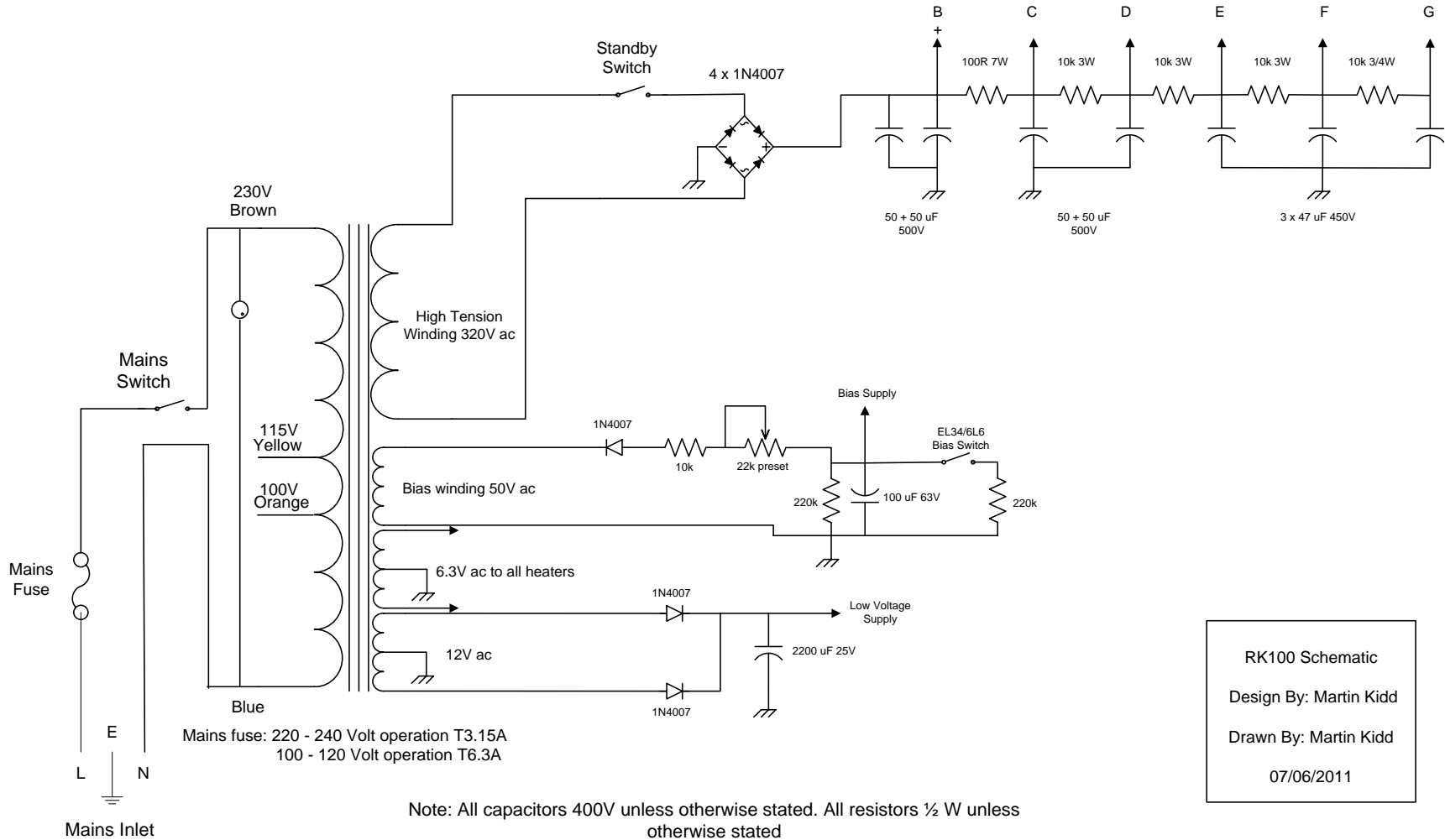
## RK100 Phase Splitter and Output Stage

RK100 Schematic  
Design By: Martin Kidd  
Drawn By: Martin Kidd  
07/06/2011



Note: All capacitors 400V unless otherwise stated. All resistors 1/2 W unless otherwise stated

# RK100 Power Supply



RK100 Schematic  
 Design By: Martin Kidd  
 Drawn By: Martin Kidd  
 07/06/2011

# RK100 Valve failure Fuses

RK100 Schematic  
Design By: Martin Kidd  
Drawn By: Martin Kidd  
07/06/2011

