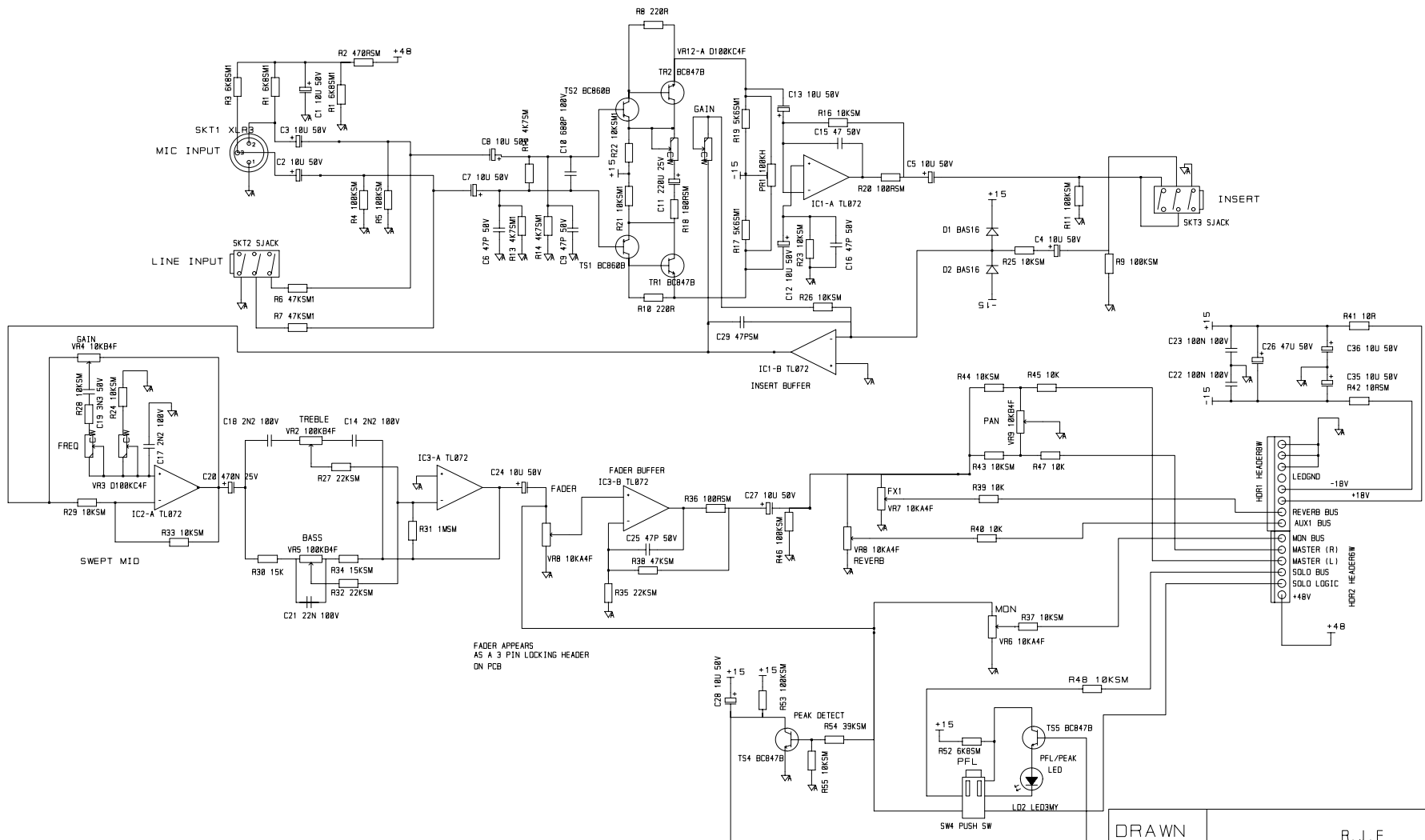


Laney

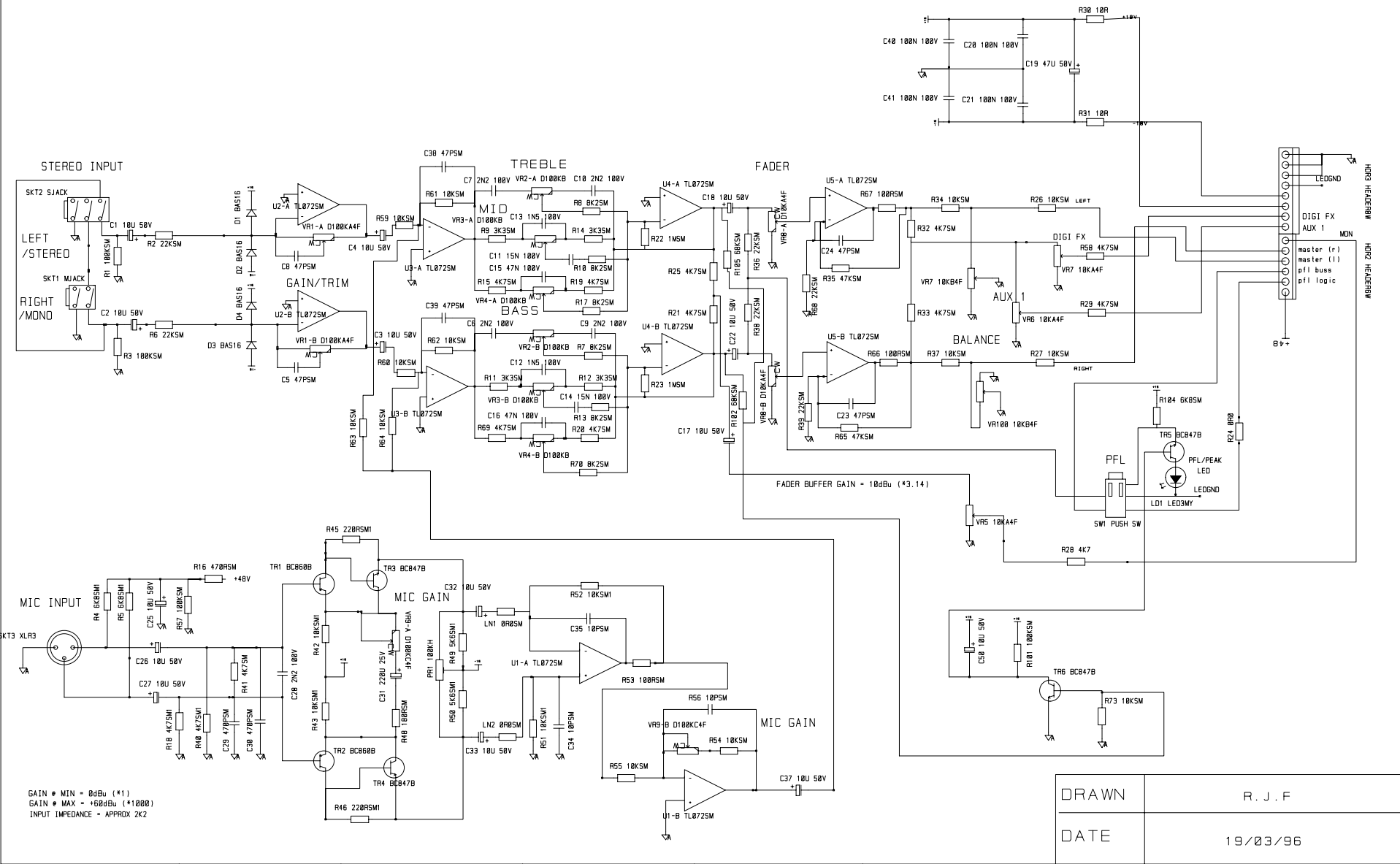
Service Diagrams



FADER APPEARS AS A 3 PIN LOCKING HEADER ON PCB

DRAWN	R. J. F
DATE	27/09/95
TITLE	MIC INPUT CHANNEL
DRW. NO.	PCB 9080_4

ISSUE	USED IN	17/7/96
TYPE	P308 P510 P516	R18 TO 180RSM

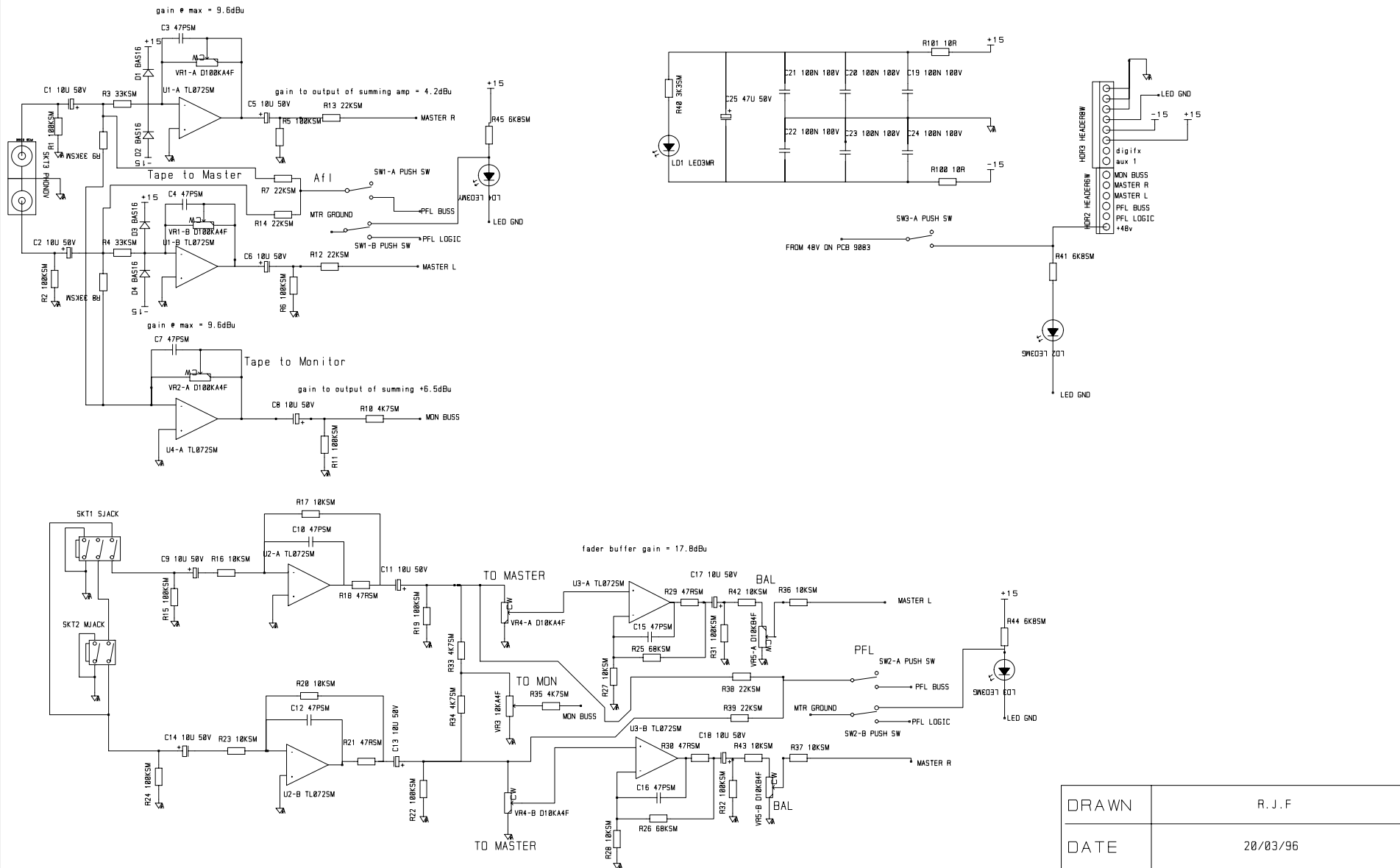


GAIN * MIN = 0dBu (*1)
 GAIN * MAX = +60dBu (*1000)
 INPUT IMPEDANCE = APPROX 2K

FADER BUFFER GAIN = 10dBu (*3.14)

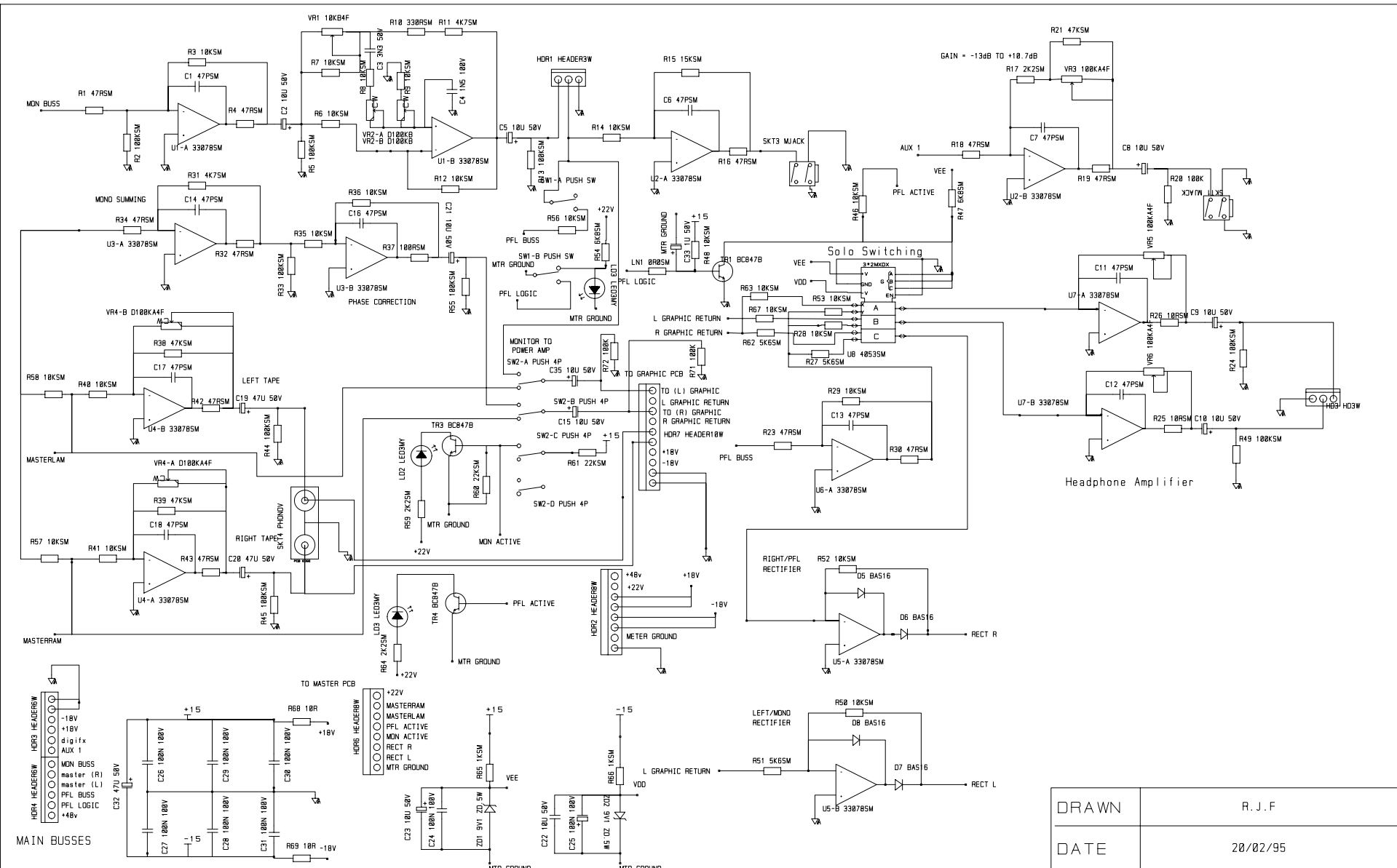
DRAWN	R. J. F
DATE	19/03/96
TITLE	MIC/STEREO INPUT CHANNEL
DRW. NO.	PCB 9081_3

ISSUE	USED IN	18/07/96
TYPE	CONCEPT 10 P510 CONCEPT 16 P516	R48 TO 100RSM FROM 68RSM (MIC GAIN * MAX TO +60dBu)



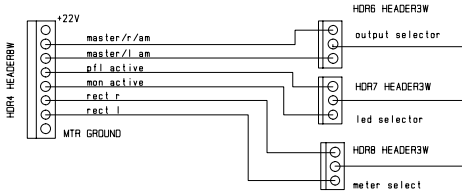
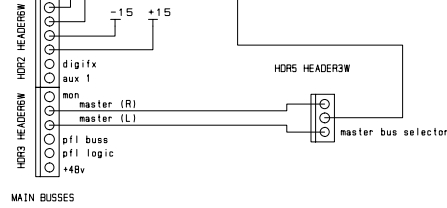
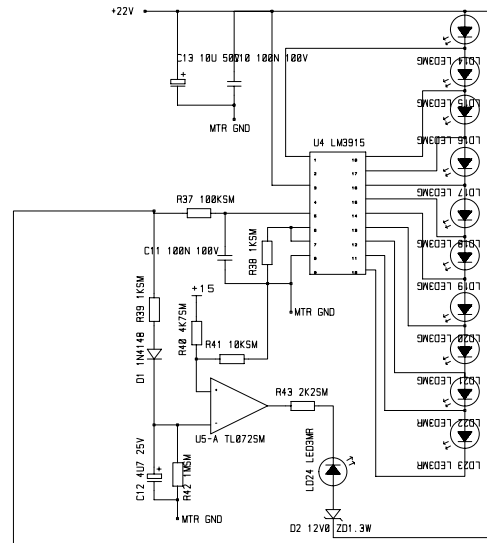
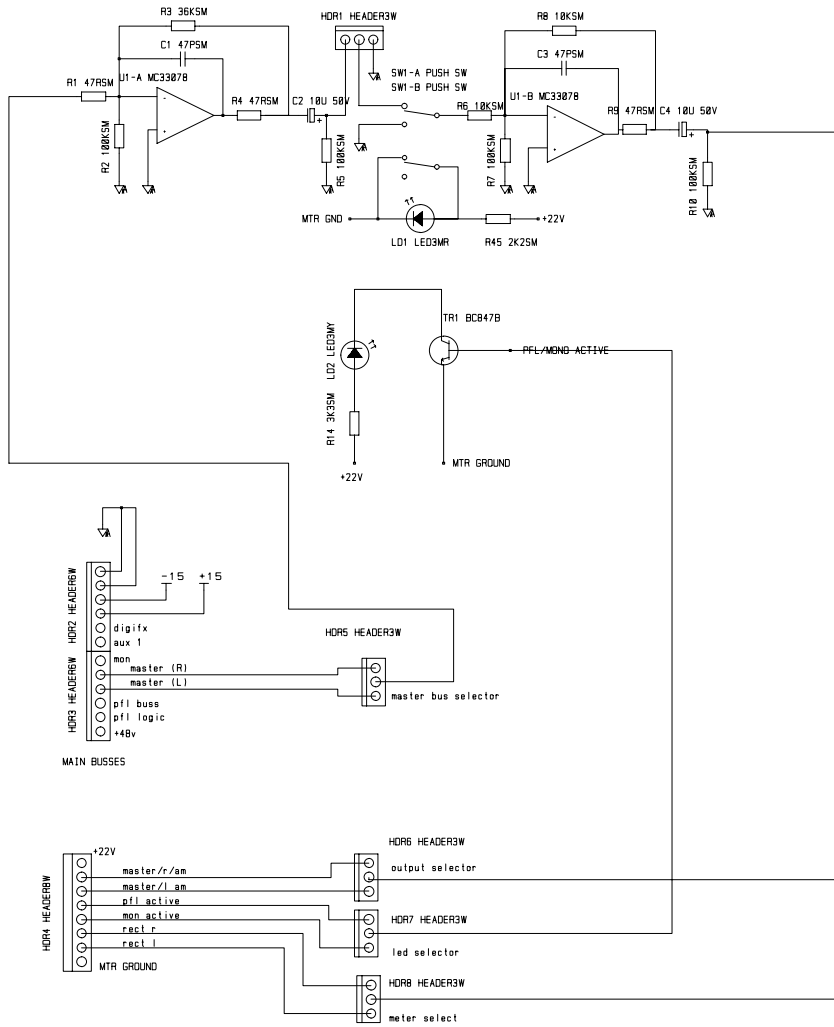
DRAWN	R. J. F	
DATE	20/03/96	
TITLE	AUX ONE (INPUT) PCB	
DRW. NO.	PCB9082	

ISSUE	USED IN		issue two	issue three
TYPE	CONCEPT 10	P510		
	CONCEPT 16	P516		



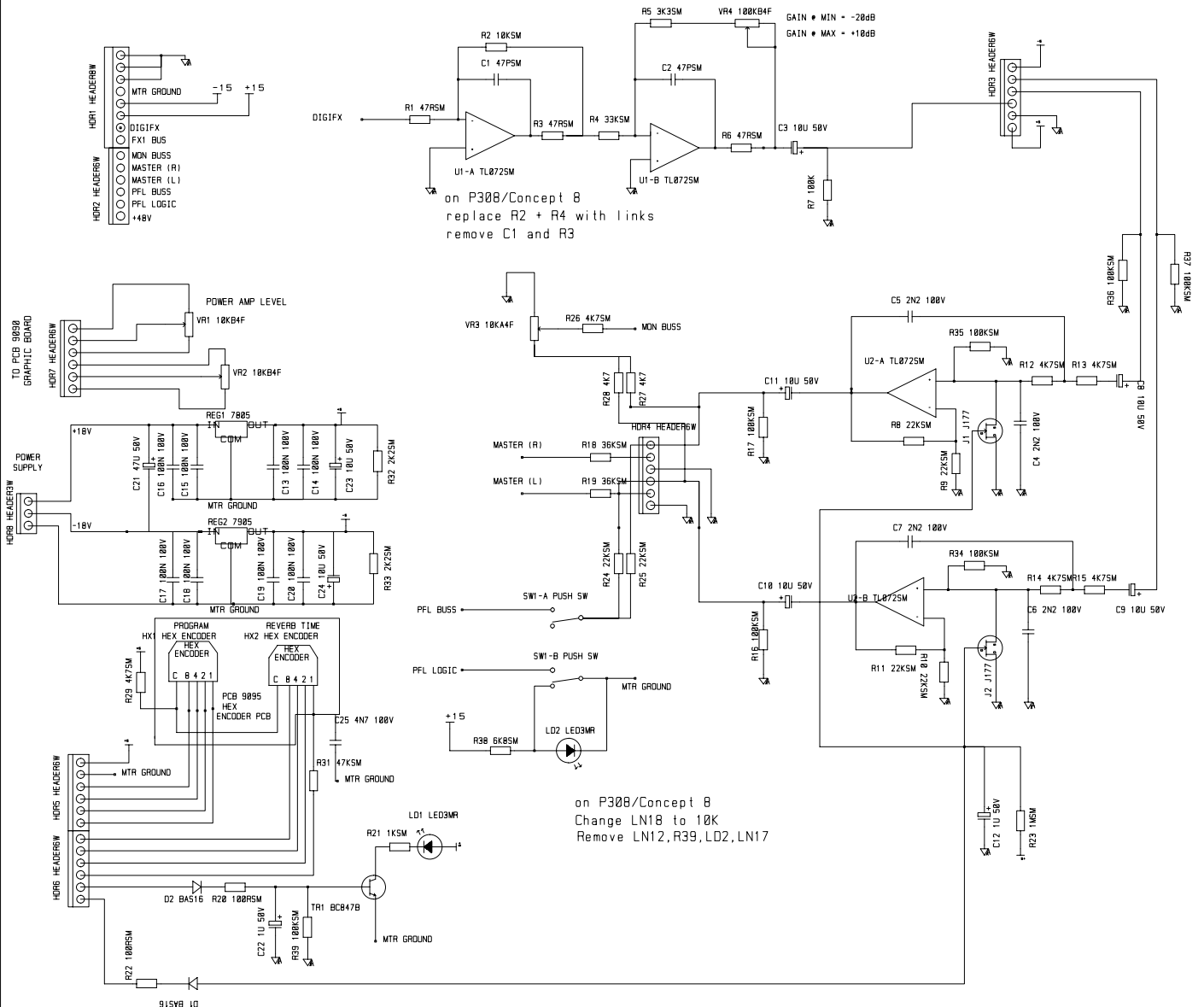
DRAWN	R. J. F
DATE	20/02/95
TITLE	PERFORMER 510 AUXILIARY OUTPUT PCB
DRW. NO.	PCB 9083

ISSUE	16/05/95	TWO 27/09/95	Three 21/03/96
TYPE			



DRAWN	R. J. F	
DATE	15/02/95	
TITLE	MASTER PCB	
DRW. NO.	PCB 9084_2	

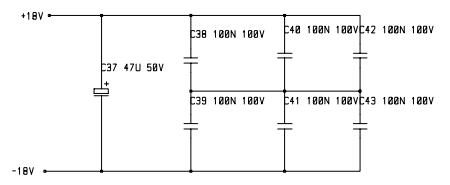
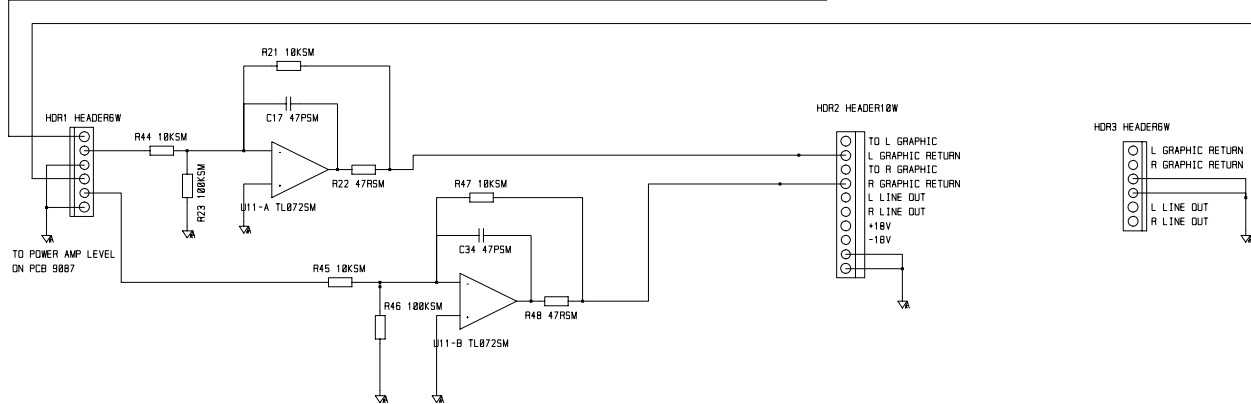
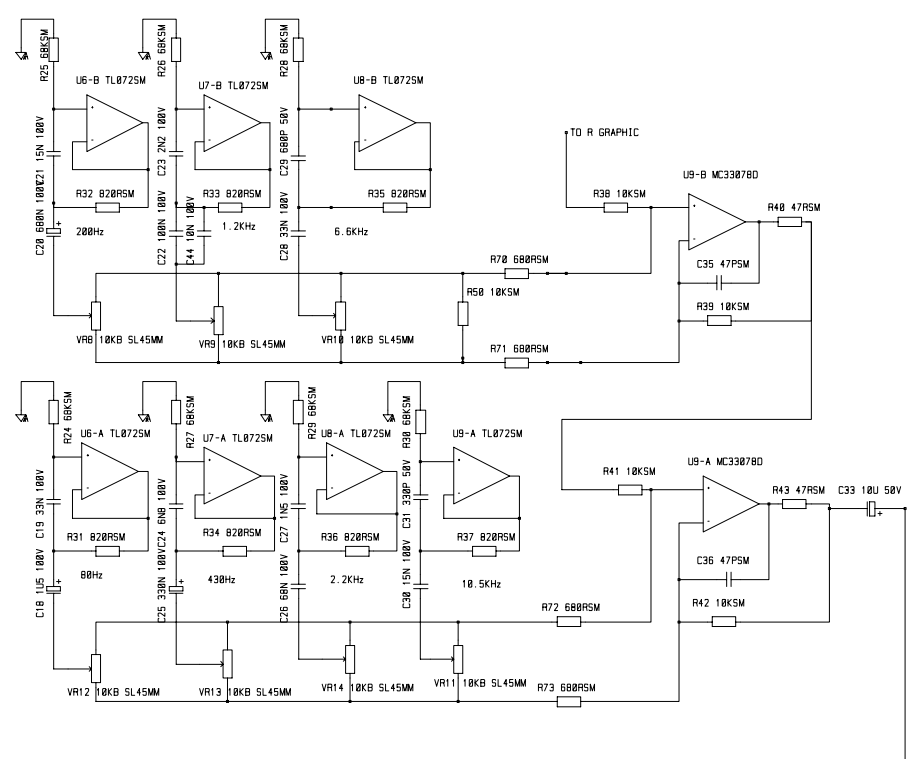
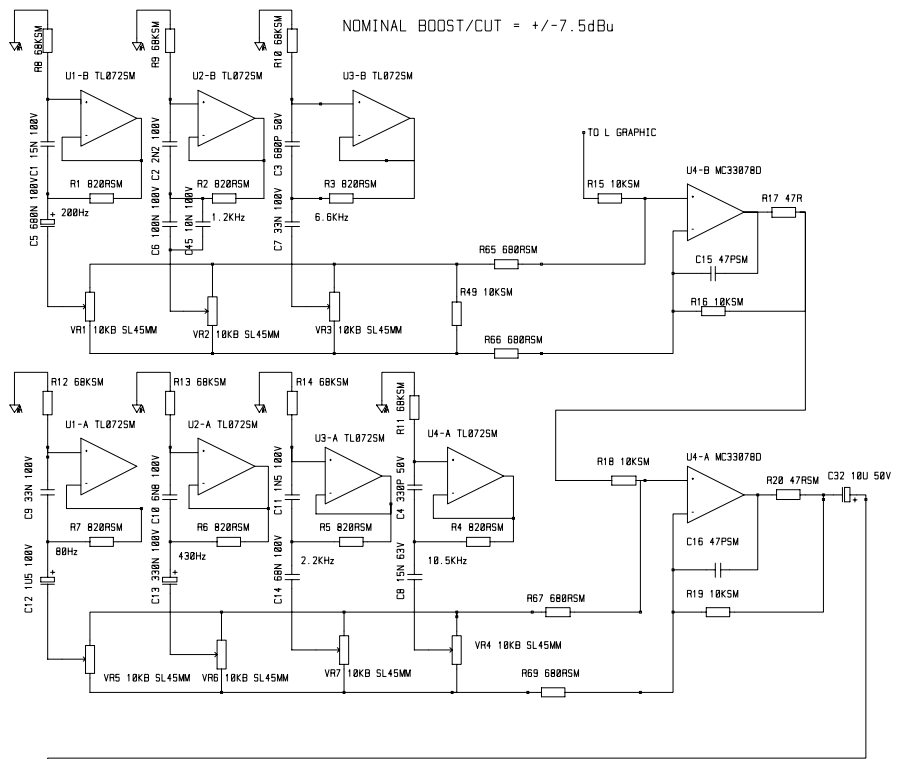
ISSUE	USED IN	TWO				
TYPE	CONCEPT 10 CONCEPT 16	P510 P516	MC33878D ADDED			



DRAWN	R. J. F
DATE	21/03/96
TITLE	DIGITAL CONTROL BOARD FOR REV - 1 (REVERB BOARD)
DRW. NO.	PCB 9087_5

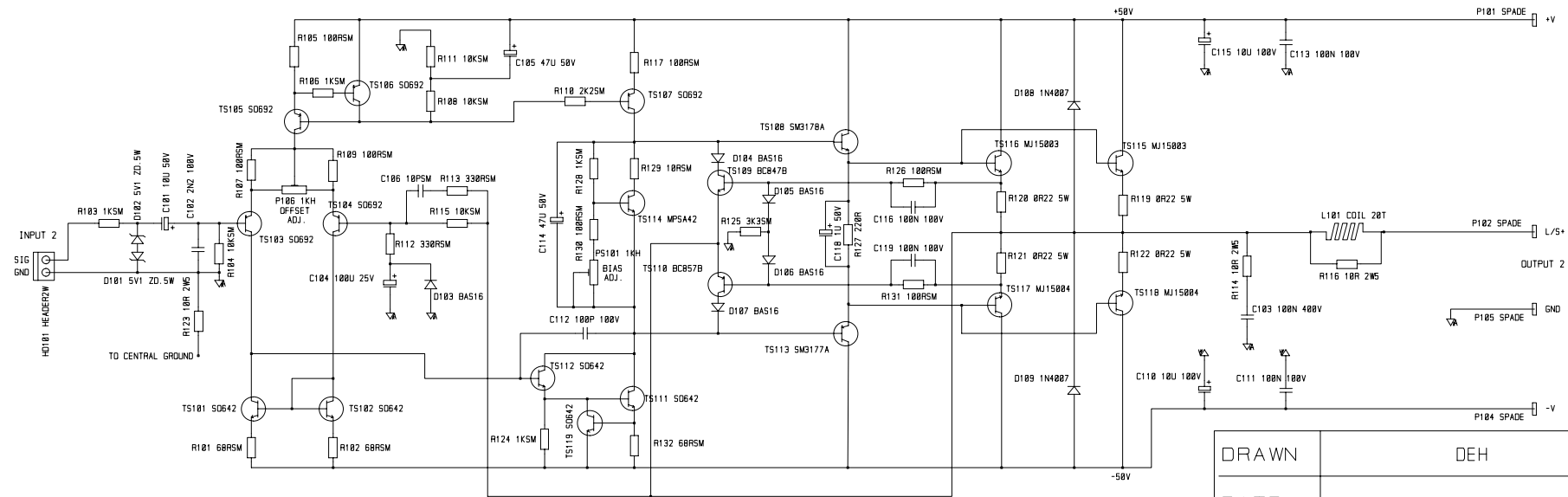
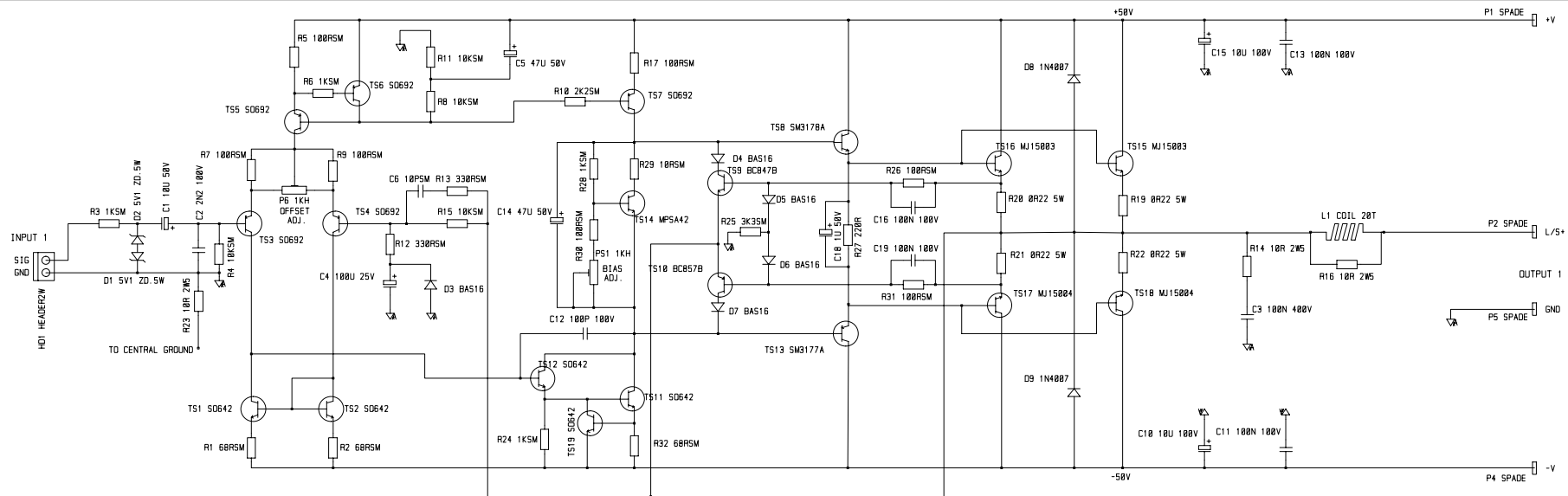
ISSUE	USED IN					
TYPE	CONCEPT 8 P308M	P510 P516				

NOMINAL BOOST/CUT = +/-7.5dBu



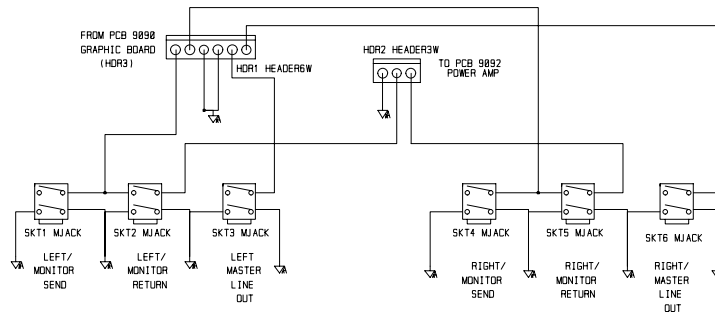
DRAWN	R. J. F
DATE	19/06/97
TITLE	7 BAND STEREO GRAPHIC
DRW. NO.	PCB 9090_3

ISSUE	USED IN				
TYPE	P510 CONCEPT 16 P516 CONCEPT 10				



DRAWN	DEH
DATE	21/03/96
TITLE	2 * 300W OUTPUT MODULE
DRW. NO.	9092_3

ISSUE	USED IN								
TYPE	CONCEPT 10	P510							
	CONCEPT 16	P516							



DRAWN	R. J. F
DATE	29/09/95
TITLE	MIXER INSERT LOOP PCB
DRW. NO.	PCB 9094_2

ISSUE	USED IN				
TYPE	P510 CONCEPT 10 P516 CONCEPT 16				