

Laney

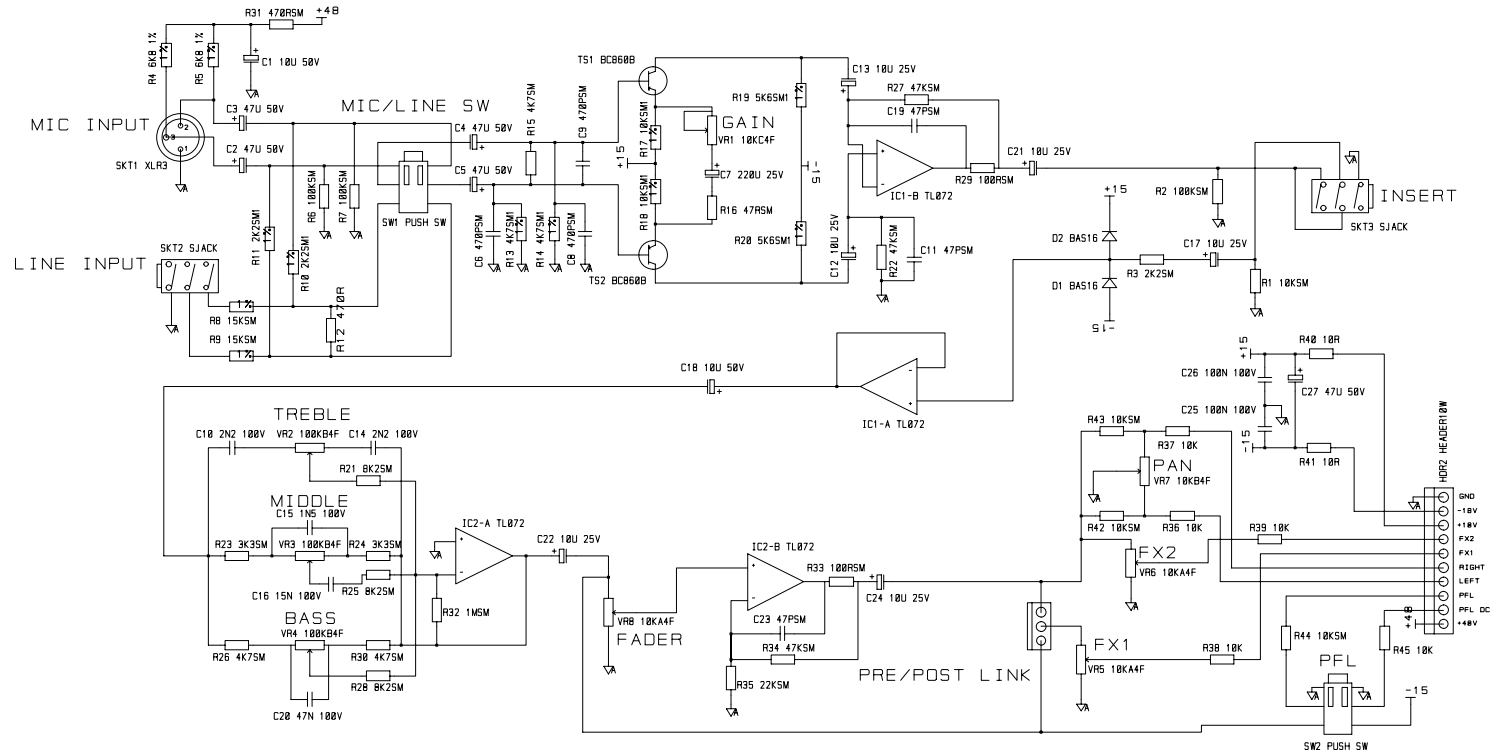
Service Diagrams

Mic Input Gain
All gains in dB

	Pad Out	Pad In
gain * min	+21	0
gain * max	+60	+38

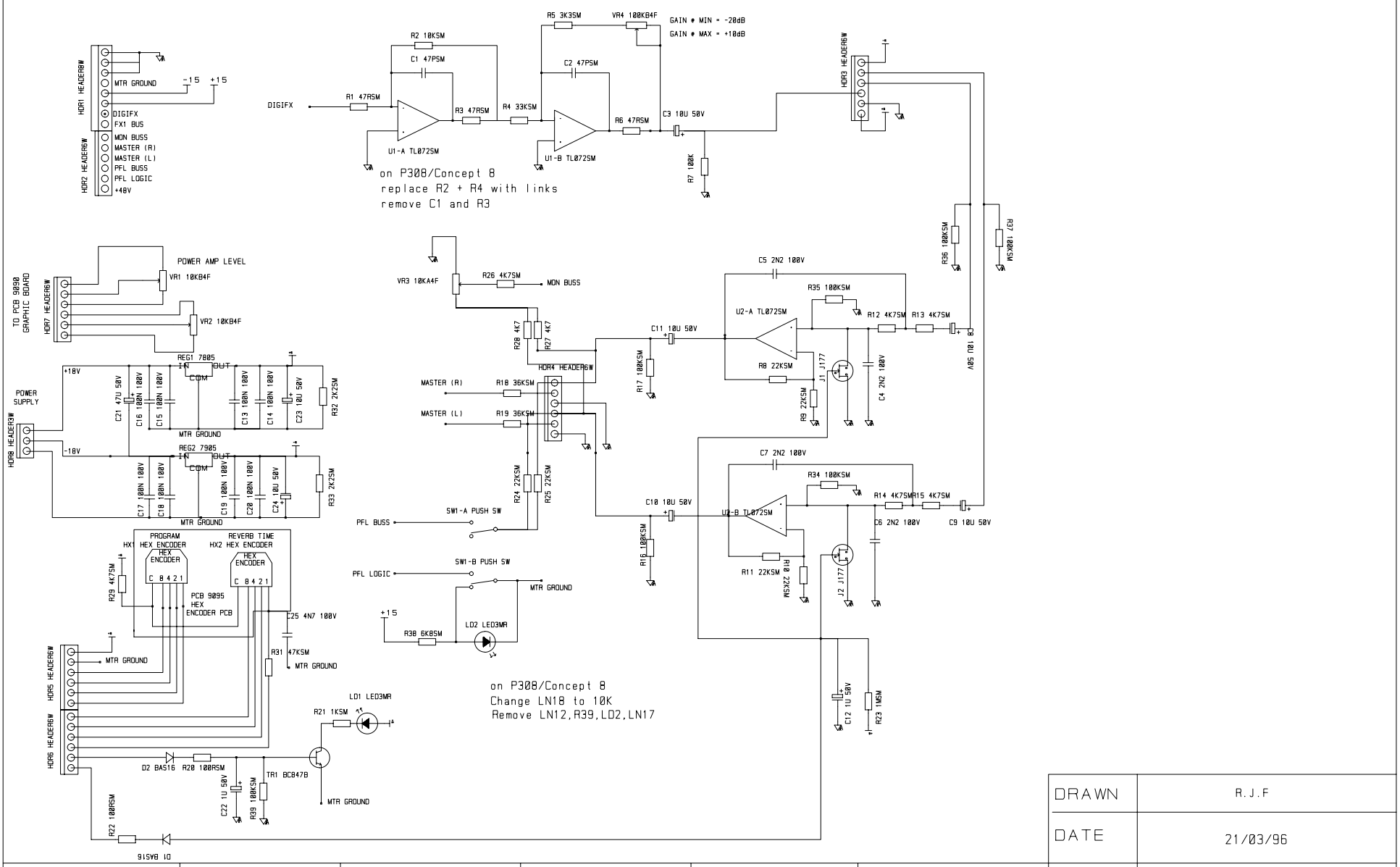
Line Input gain

	Pad Out	Pad In
gain * min	-23	-15
gain * max	+14	+22



DRAWN	D. E. H
DATE	18/07/95
TITLE	MIC INPUT CHANNEL
DRW. NO.	PCB 9028_5

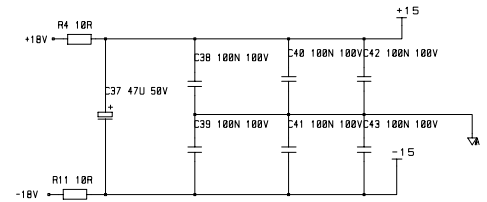
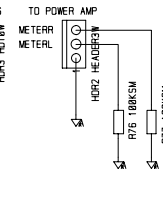
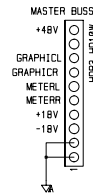
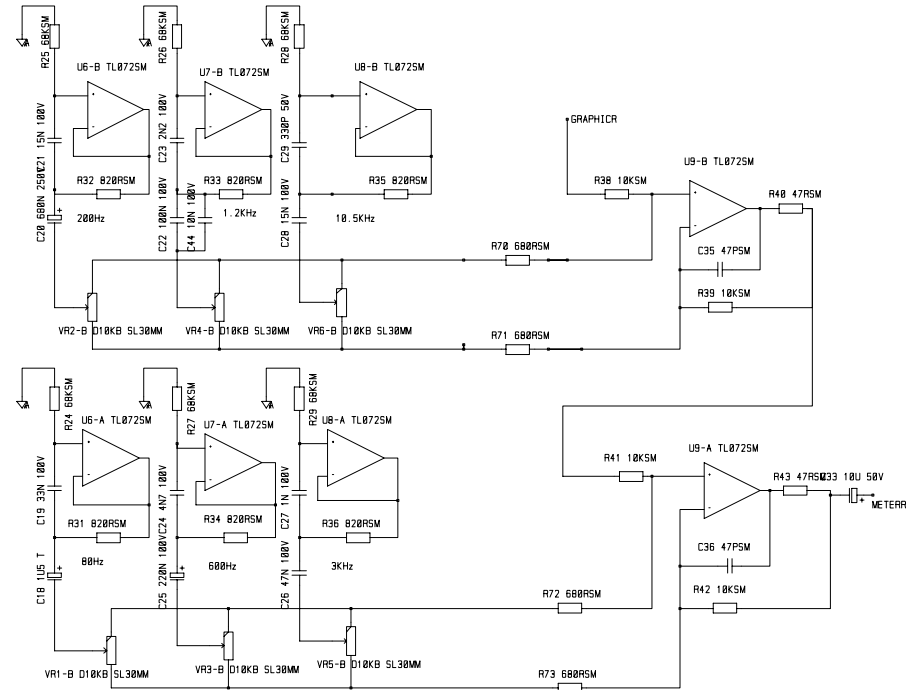
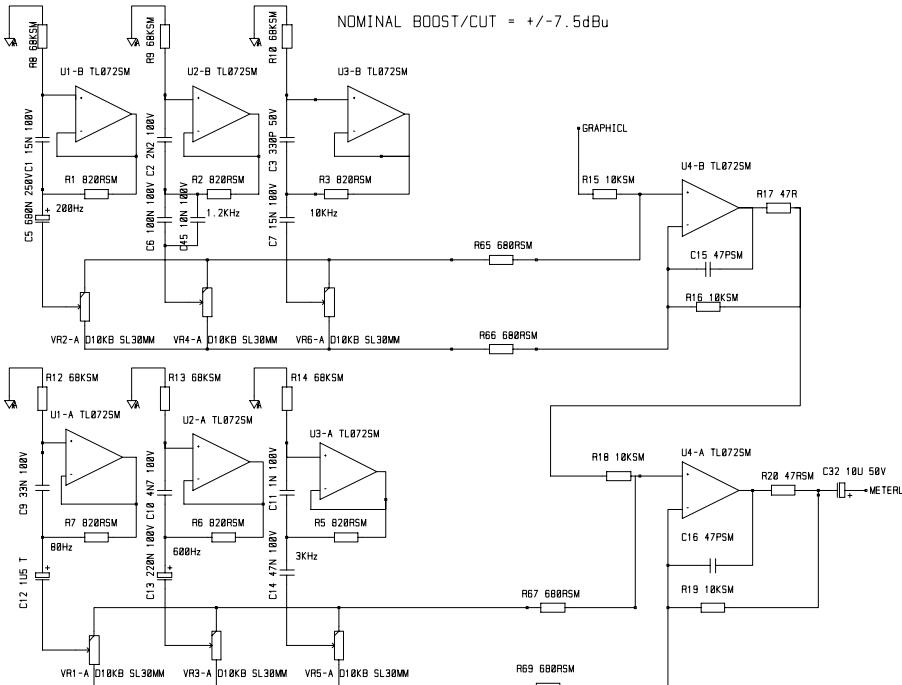
ISSUE	USED IN	USED IN	9028_5	17/07/96	9/5/97
TYPE	M1020R M1020S M1202SX	M16025X CONCEPT 6 CONCEPT 8	P308M	BOARD BEHIND INPUT XLR REMOVED FADER HEADER OPTION ADDED FOR THE CONNECTION OF AN EXTERNAL FADER	R16 to 47k from 4.7m Mic amp gain to +58dB R8 + R9 to 15k Increases Line input gain



DRAWN	R. J. F
DATE	21/03/96
TITLE	DIGITAL CONTROL BOARD FOR REV - 1 (REVERB BOARD)
DRW. NO.	PCB 9087_5

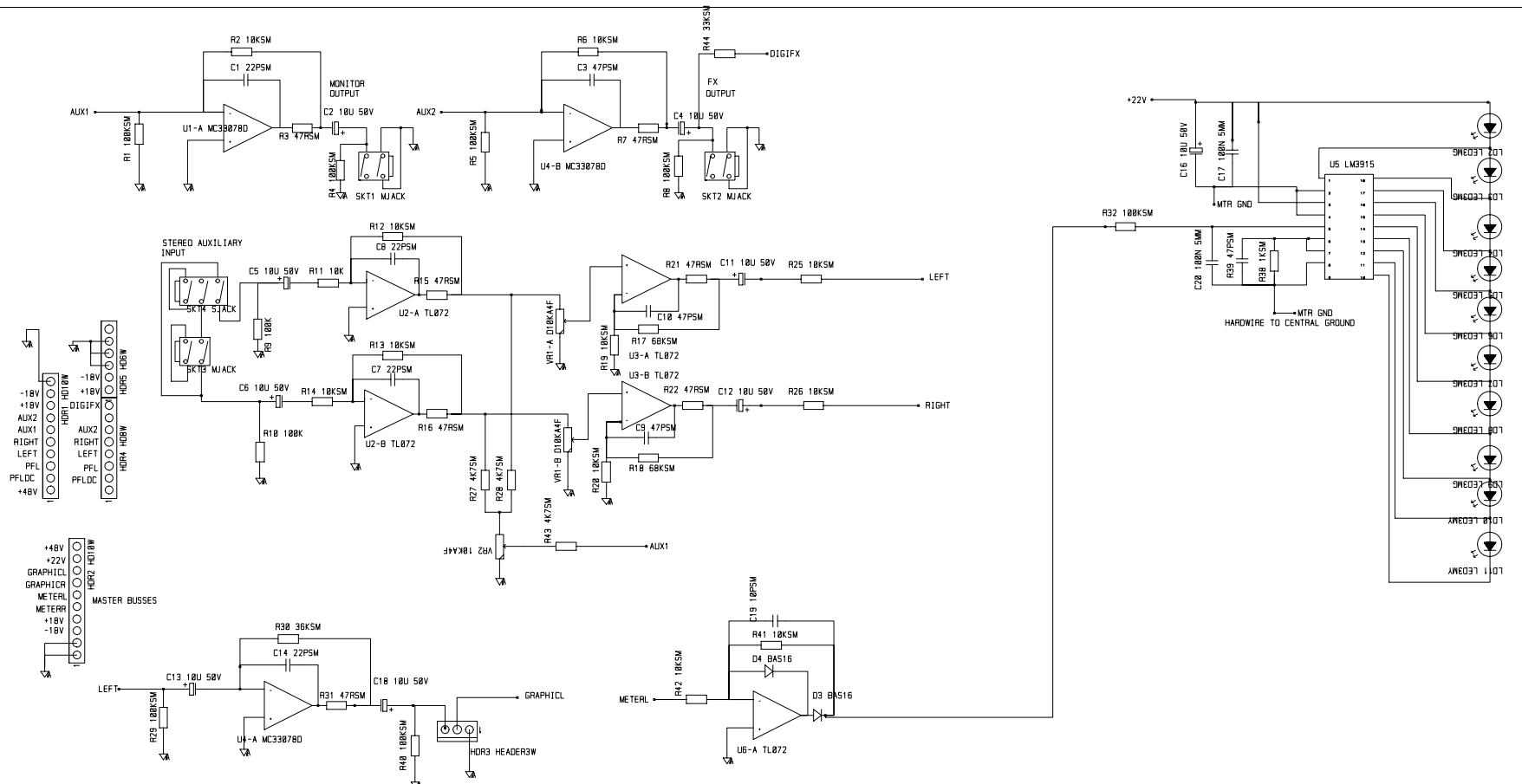
ISSUE	USED IN				
TYPE	CONCEPT 8	P510			
	P308M	P516			

NOMINAL BOOST/CUT = +/-7.5dBu



DRAWN	R. J. F
DATE	07/06/95
TITLE	6 BAND STEREO GRAPHIC EQUALISER
DRW. NO.	PCB 9104

ISSUE	USED IN	18/03/97			
TYPE	CONCEPT 6 CONCEPT 8	P308M	FINAL INFORMATION ADDED		



9087 COMPATIBILITY

AUX/DIGIFX BUS

AUX 1 OUTPUT SIGNAL IS ROUTED TO DIGIFX BOARD

U1-A NEEDS BYPASSING ON PCB9081 DIGIFX BOARD TO MAINTAIN CORRECT PHASING.

REPLACE R2 + R4 WITH LINKS

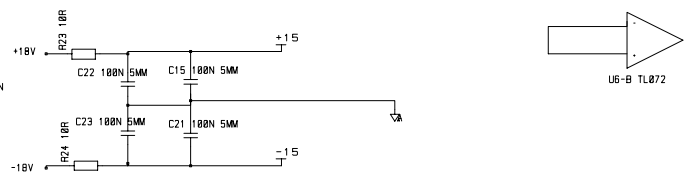
REMOVE R3 + C1

PFL LOGIC PCB 9087 CHANGES

LN18 CHANGE TO 10K

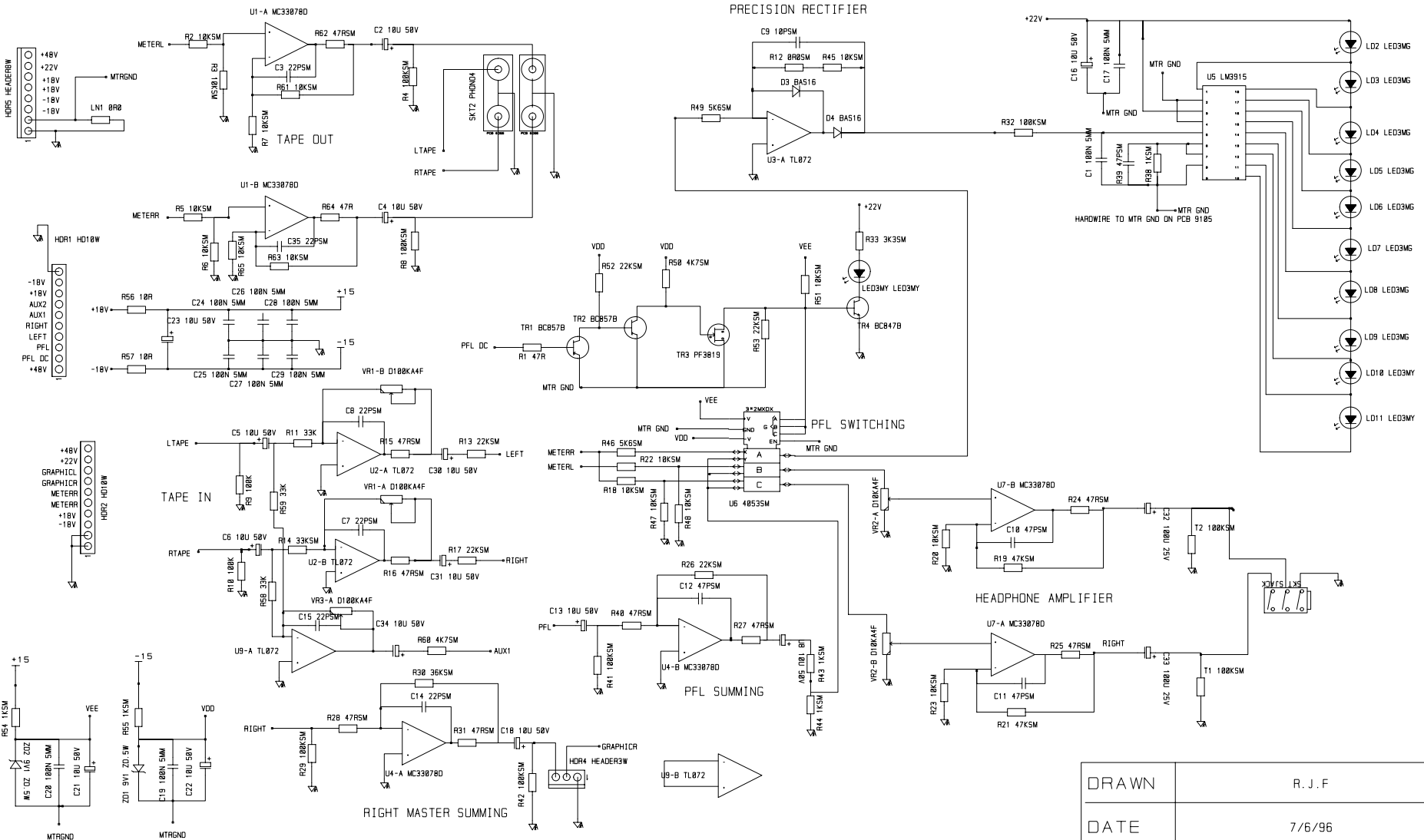
REMOVE LN12

REMOVE R39, LD2, LN17



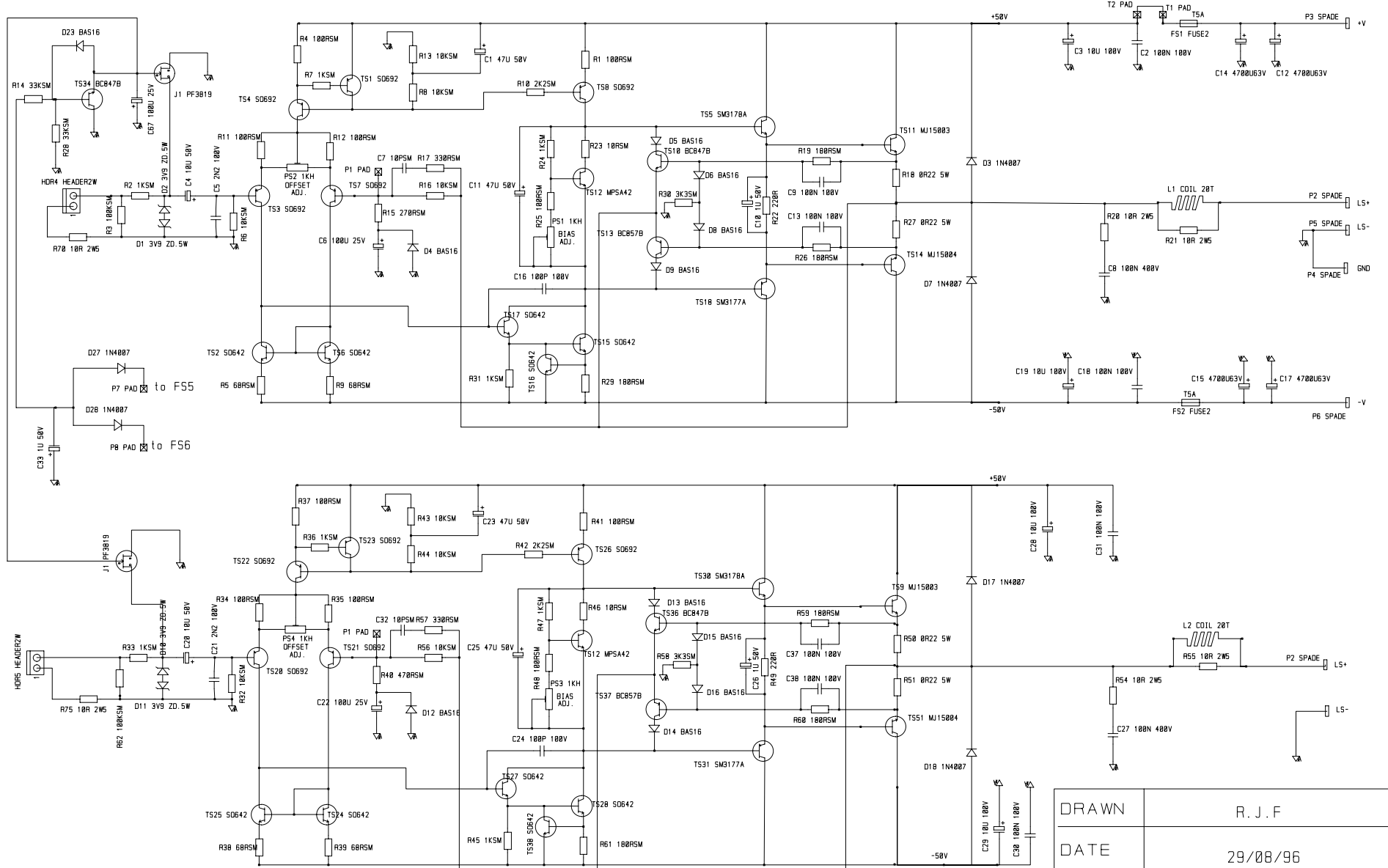
DRAWN	R. J. F
DATE	7/6/96
TITLE	MIXER LEFT MASTER
DRW. NO.	9105_2

ISSUE	USED IN	ISSUE TWO 11/09/96	ISSUE TWO		
TYPE	CONCEPT 6 CONCEPT 8	P308 CHANGED TO REFLECT ISSUE TWO MODS CHECK 9087 MODS PRIOR TO PRODUCTION	C1, C7-10, C14 to 22PSM		



DRAWN	R. J. F.
DATE	7/6/96
TITLE	MIXER RIGHT MASTER
DRW. NO.	9106

ISSUE	USED IN	ISSUE TWO 11/09/96	ISSUE TWO
TYPE	CONCEPT 6 CONCEPT 8	P308M	R26 to 22K C3, 7, 8, 14, 15, 35 TO 22pF



DRAWN	R. J. F
DATE	29/08/96
TITLE	2 * 150W OUTPUT + POWER SUPPLY PCB
DRW. NO.	9103_4 SHEET 1 OF 2

ISSUE	USED IN				
TYPE	CONCEPT 6 CONCEPT 8	P308M			