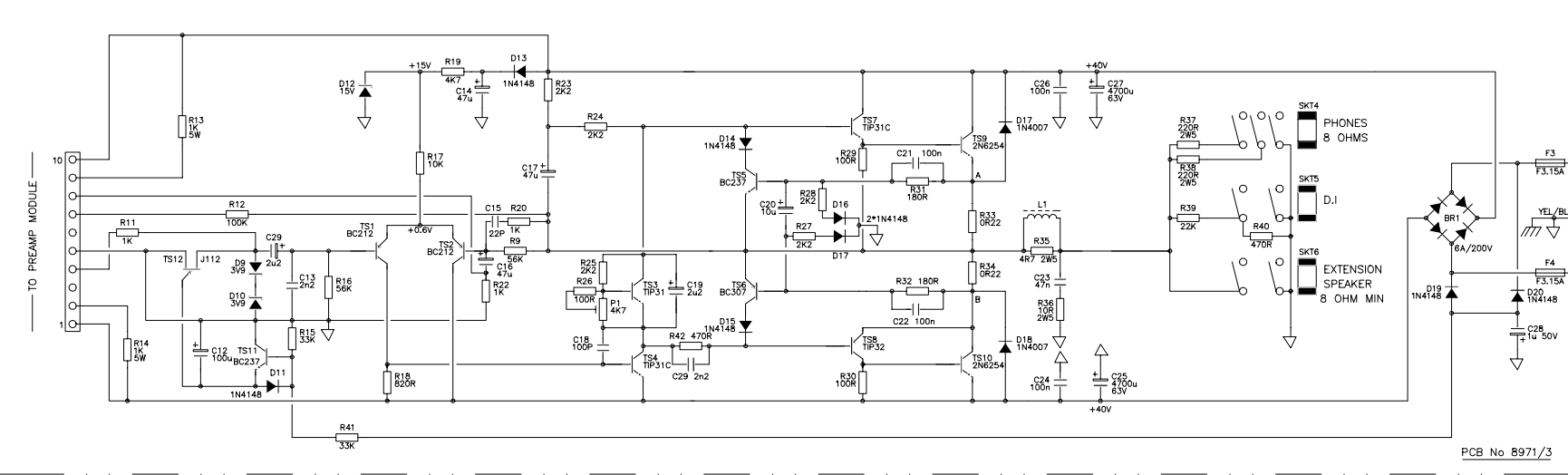
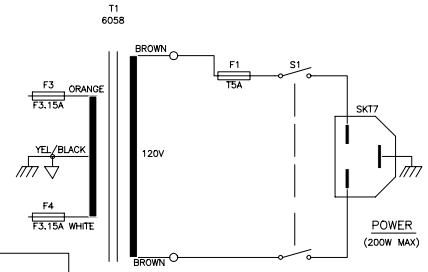
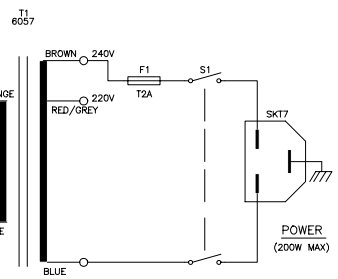


PCB No 8981



PCB No 8971/3

QUIESCENT CURRENT ADJUSTMENT :- SET P1 FOR 10-20mV BETWEEN POINTS A&B.



ISSUE	DESCRIPTION	APPD.	DATE	TITLE	DRAWN	TRACED	CHECKED	APPROVED	DATE
				IS112P Circuit Diagram PART No	R.J.F				14/08/92
					DRAWING No.	2097			

**BLT**  
Industries Ltd.