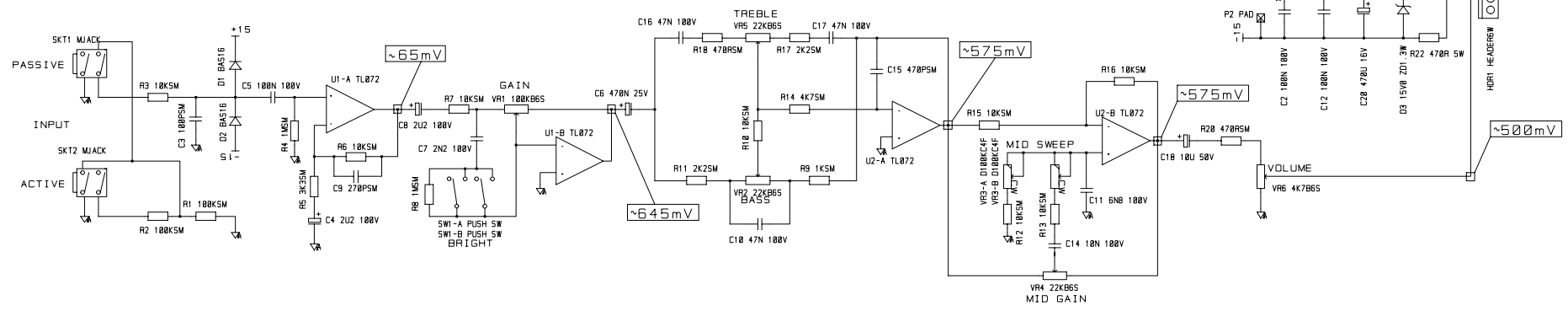


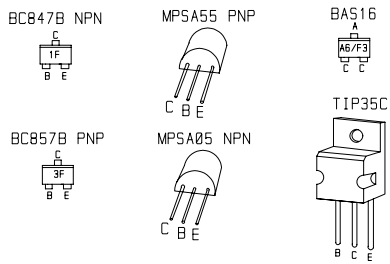
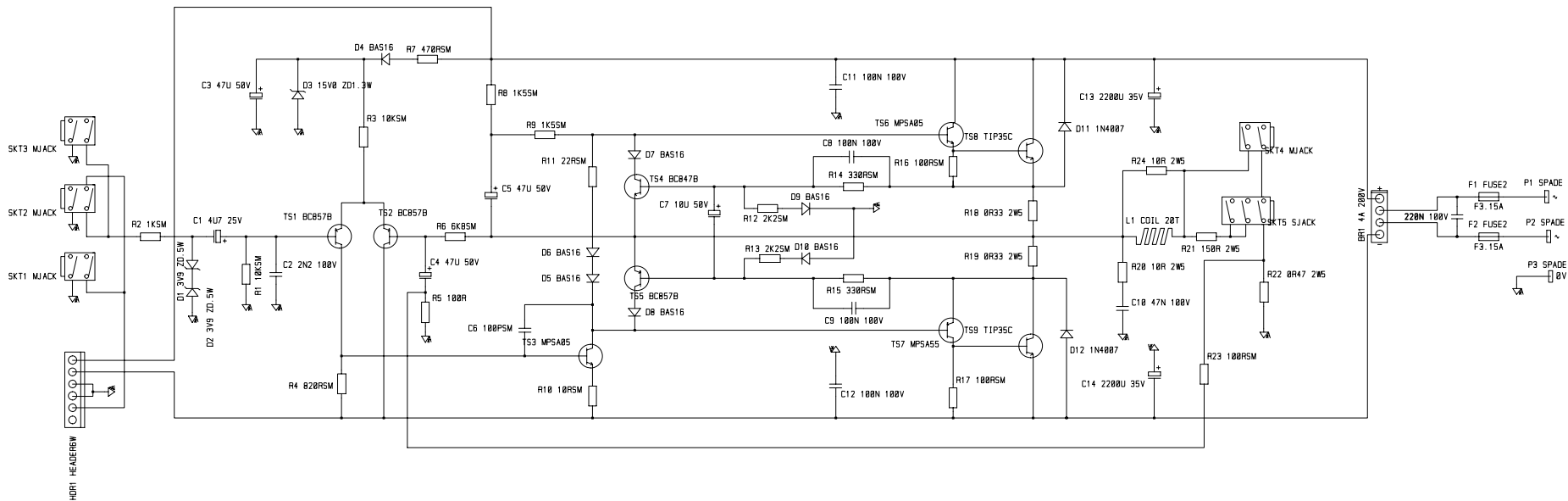
Input sensitivity PASSIVE = 17mV
ACTIVE = 34mV



Input sensitivity = GAIN AND VOLUME TO MAXIMUIM EQ SET TO FLAT

DRAWN	DEH
DATE	09/03/94
TITLE	LBC50 PREAMP
DRW. NO.	9056_2

ISSUE							
TYPE							



NOTE:- BASS VERSION R5=220R R22=LINK C13/14=3300U

ISSUE	Issue 2 14/03/2000	08/06/00.				DRAWN	DEH
						DATE	15/3/99
						TITLE	50-65W OUTPUT MODULE
TYPE	220nF 100V Cap added across secondary fuses before the bridge on underside of PCB.	CHANGE NOTE 291: R11 FROM 47RSM TO 22RSM				DRW. NO.	9074_2