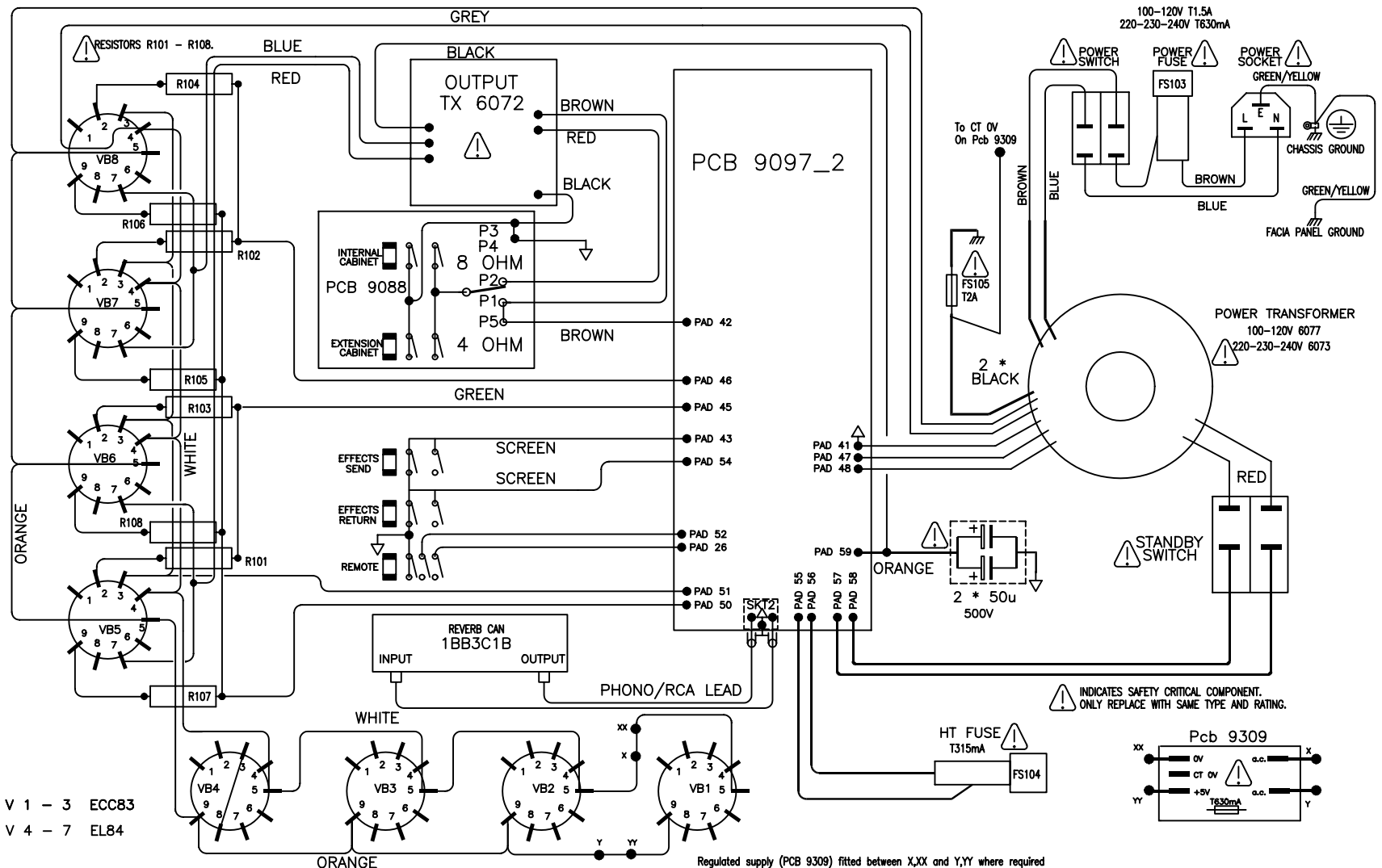


# Laney

**Service Diagrams**

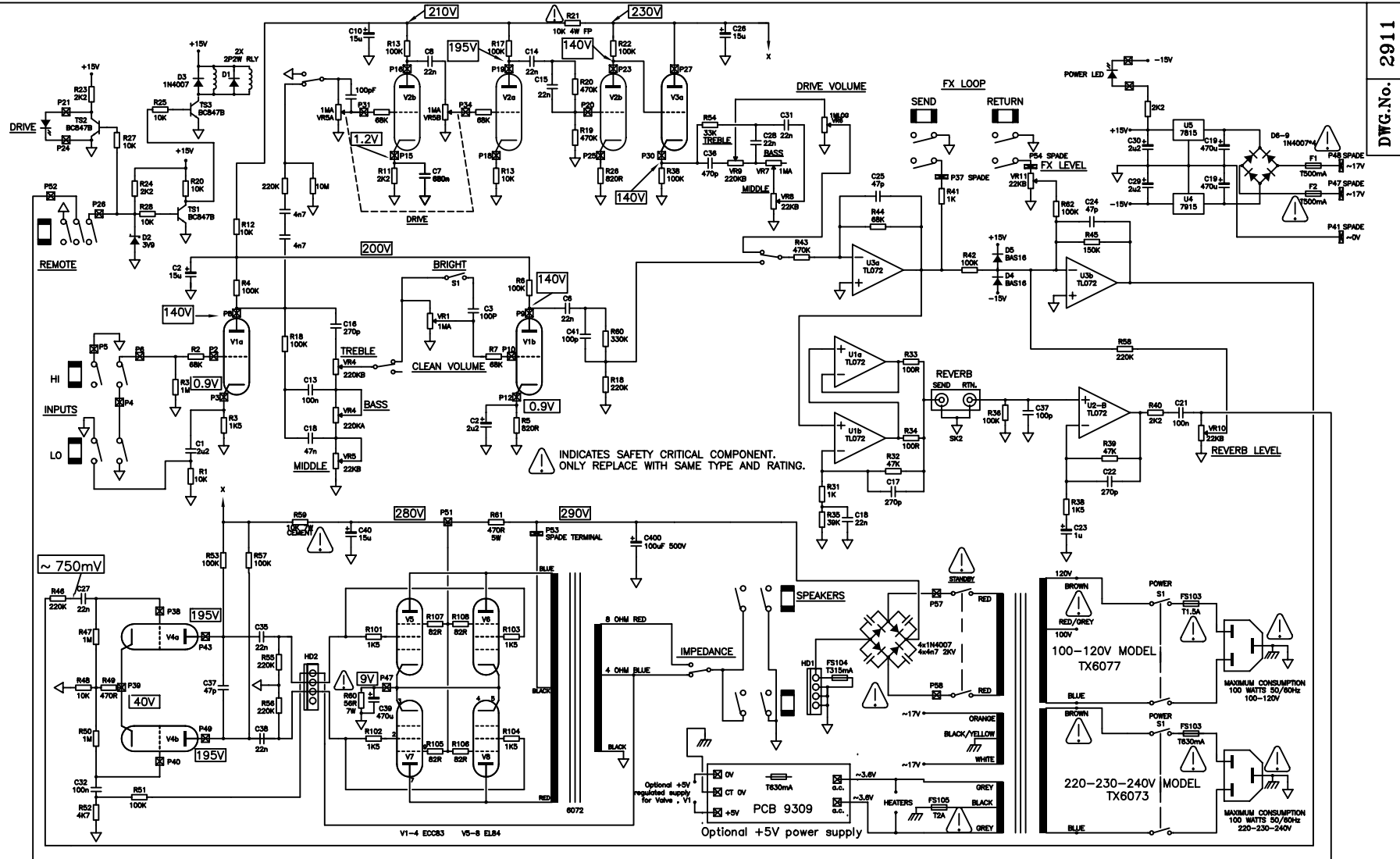


ISSUE	DESCRIPTION	APPD.	DATE

**BLT**  
Industries Ltd.

TITLE
LC30 - SII SERVICE DIAGRAM PART No

DRAWN	TRACED	CHECKED	APPROVED	DATE
R.J.F.				15/01/99
DRAWING No.		2910		

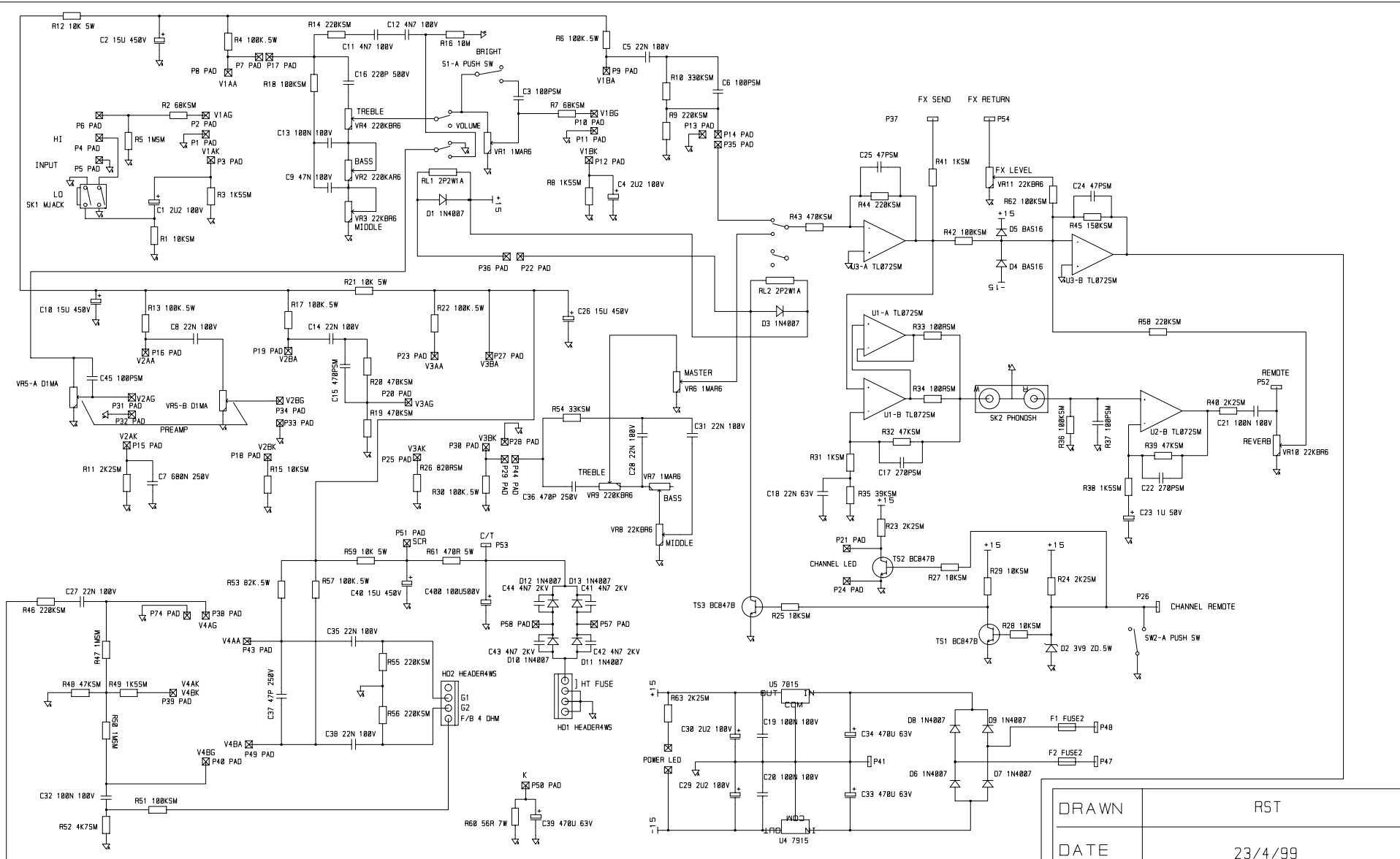


ISSUE	DESCRIPTION	APPD. DATE
ISSUE 3	PHYSICAL LAYOUT CHANGES TO TIDY BOARD/MAKE BUILD EASIER.	RST 28/4/99

**BLT**  
Industries Ltd.

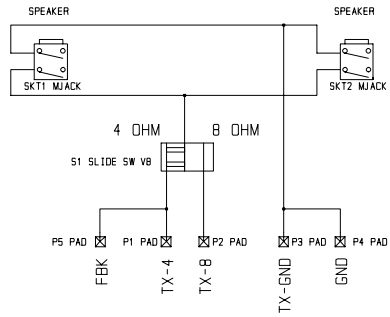
**TITLE**  
LC30 - SII  
CIRCUIT  
PART No

DRAWN	TRACED	CHECKED	APPROVED	DATE
S.L.				27/4/99
<b>DRAWING No.</b>			<b>2911</b>	



DRAWN	RST
DATE	23/4/99
TITLE	LC30 SII MAIN BOARD
DRW. NO.	9097_3

ISSUE	ISSUE 2	ISSUE 3					
TYPE		BUILD CHANGES ONLY REFER TO CHANGE NOTE 216					



DRAWN	DEH
DATE	14/03/95
TITLE	VC50 SPEAKER JACK PCB
DRW. NO.	9088

ISSUE							
TYPE							