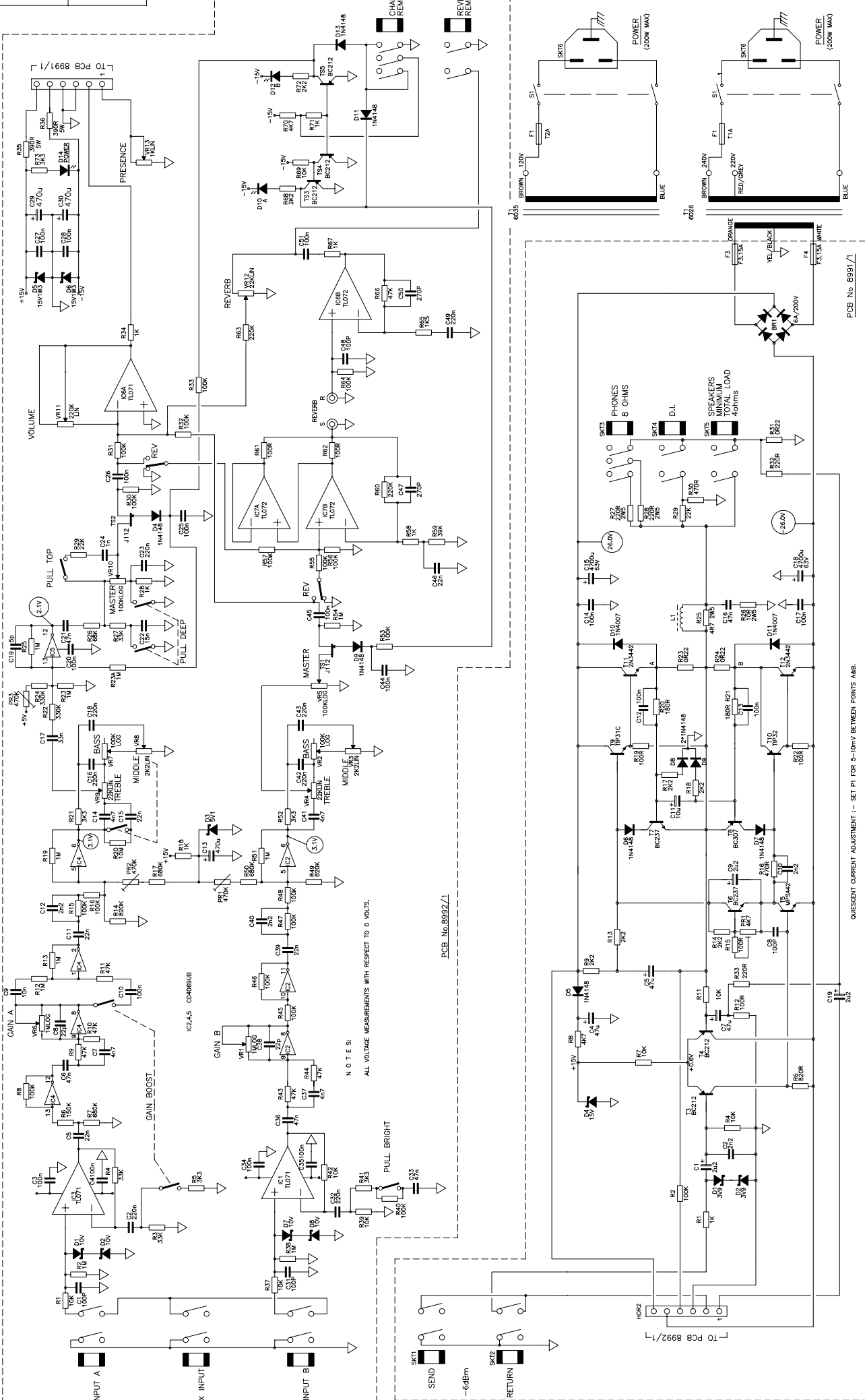


# Laney

**Service Diagrams**



NOTE: ALL VOLTAGE MEASUREMENTS WITH RESPECT TO 0 VOLTS.

PCB No. 8992/1

QUESSNEY CURRENT ADJUSTMENT - SET P1 FOR +10mv BETWEEN POINTS A&B.

ISSUE	DESCRIPTION	APPD. DATE	TITLE	DRAWN	TRACED	CHECKED	APPROVED DATE
4	R14 AND R49 CHANGED FROM 1M TO 820K	R.J.F 02/07/91	PL65R CIRCUIT DIAGRAM PART No	D.E.H			22/09/89
3	MUTE R23A RESISTOR ADDED	DEH 26/02/90					
2	BASS BOOST, LF GAIN ADJUSTED	DEH 22/09/89					

