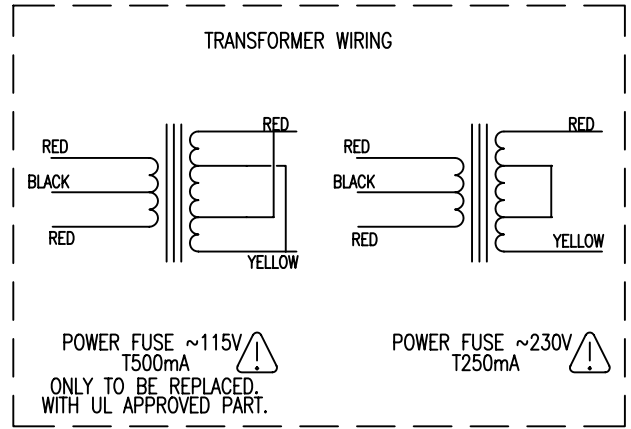
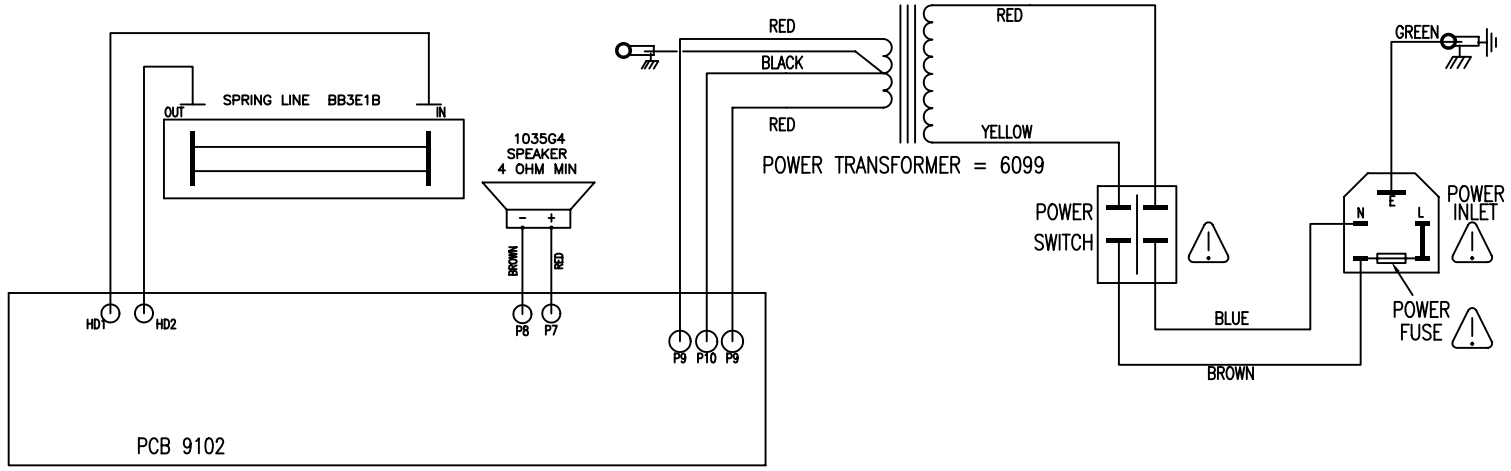


Laney

Service Diagrams



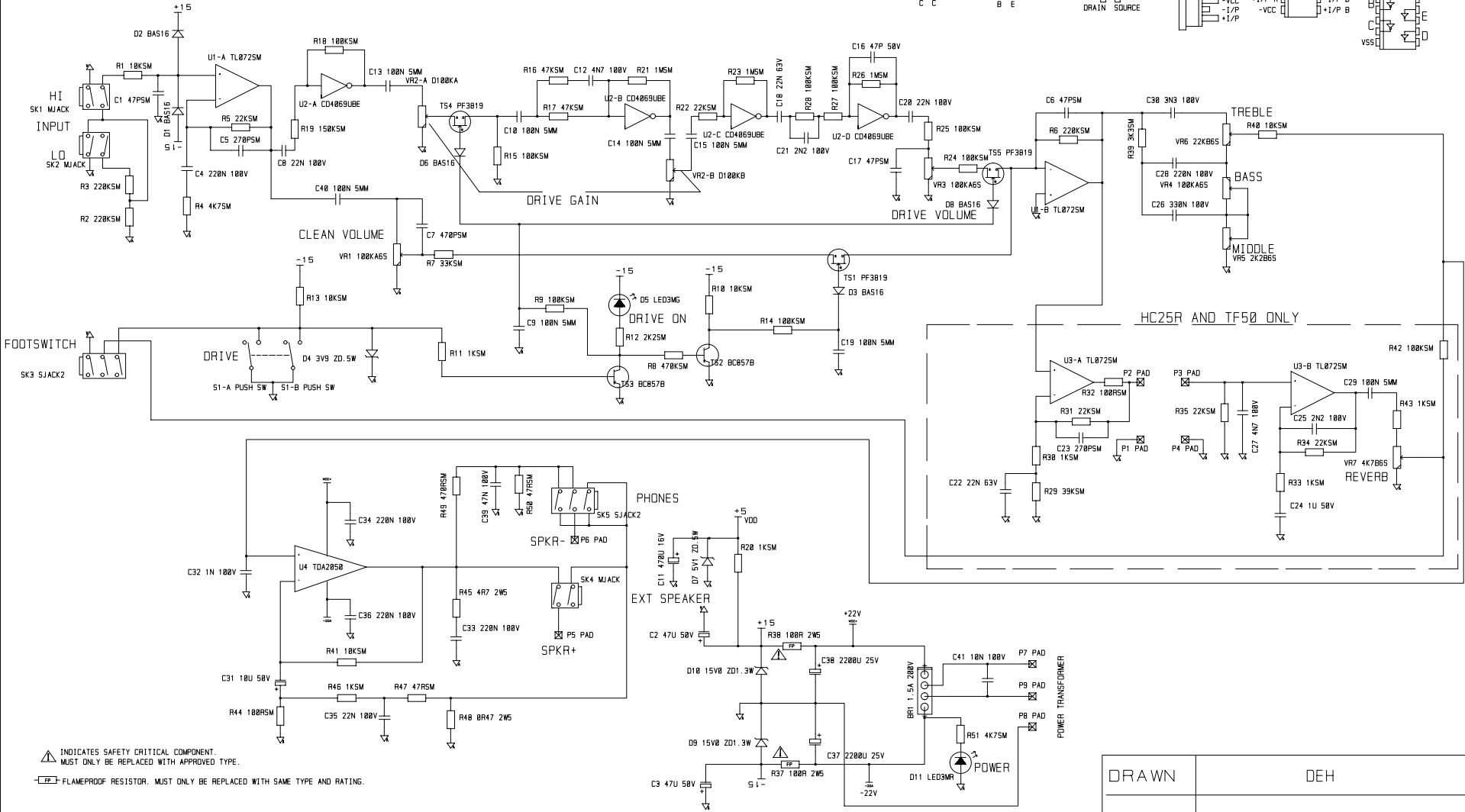
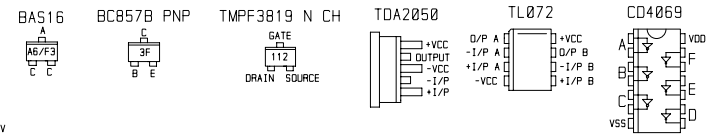
⚠ INDICATES SAFETY CRITICAL COMPONENT. MUST ONLY BE REPLACED WITH APPROVED TYPE.

ISSUE	DESCRIPTION	APPD.	DATE

BLT
Industries Ltd.

TITLE
TF50
SERVICE DIAGRAM
PART No

DRAWN	TRACED	CHECKED	APPROVED	DATE
R.J.F				15/01/99
DRAWING No.		2907		



INDICATES SAFETY CRITICAL COMPONENT. MUST ONLY BE REPLACED WITH APPROVED TYPE.
 FLAMEPROOF RESISTOR. MUST ONLY BE REPLACED WITH SAME TYPE AND RATING.

DRAWN	DEH
DATE	06/06/96
TITLE	Tube Fusion TF50
DRW. NO.	9102_4

ISSUE	3 27/08/96	3A 04/10/96	4 07/10/96	USED IN HC25, HC25R, TF50
TYPE		C16 22P-47P	C41 ADDED	