



10"
 The 12" Blackbird was introduced last year as the first in the Jensen Jet line. It quickly became known as one of the greatest speakers ever made. Art Thompson, from Guitar Player called it "Tight and Focused".

The 12" has taken the world by storm with its modern acclaimed tone. The 10" Blackbird simply follows its path with 100 watts of pure Alnico power.

Jensen®

LOUDSPEAKERS

SOUND FEATURES The 10" Blackbird tone is extremely warm and smooth with a very rich, fat low end and open, burnished mids and open, silvery highs.

COLORATION It handles well overdrive by bringing out colorful detail and holding strong even at maximum distortion. It is full and clear, with clean tones.

APPLICATION Versatile for all types of music with its smooth and rich tone, successfully merging modern and vintage flavours.

SUGGESTED APPLICATION / USE Can be used in both small combos requiring a clean warm sound or larger amps that push a lot of power. Great in modern amps for a full dynamic sound or in vintage amps for a clean vintage tone.

BLACKBIRD

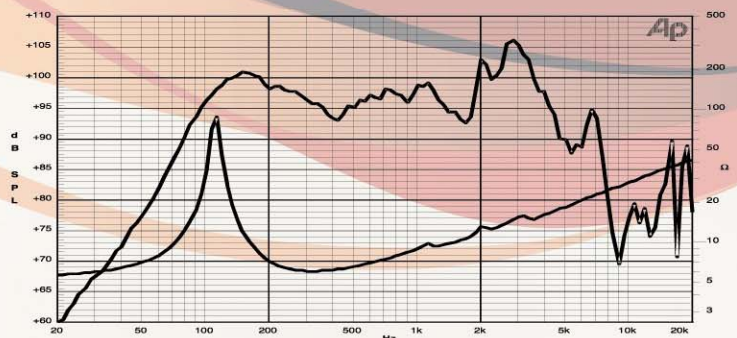
P 10/100 BB



SPECIFICATIONS

NOMINAL DIAMETER	259 mm	10"
POWER RATING		100 W
NOMINAL IMPEDANCE		8 Ω
CHASSIS		STEEL
VOICE COIL DIAMETER	50 mm	2"
MAGNET		AINiCo
MAGNET WEIGHT	826 g	1.8 lb
RESONANCE FREQUENCY		112.1 Hz
SENSITIVITY		97 dB
MOUNTING HOLES	n°8 Ø 6,5 mm	0.25"
	ON	245 mm 9.64"
CUT-OUT DIAMETER	231 mm	9.1"
OVERALL DEPTH	136 mm	5.35"
NET WEIGHT	3 Kg	6.6 lb
SHIPPING WEIGHT	3,5 Kg	7.7 lb
PRODUCTION CODE		ZJ05400

FREQUENCY RESPONSE on IEC BAFFLE @ 1 W, 1 m and IMPEDANCE



10" - 200W AlNiCo Guitar Loudspeaker

P10/100 BB - 8 Ω

Code ZJ05400

GENERAL CHARACTERISTICS

Nominal Overall Diameter	259	mm
Nominal Voice Coil Diameter	50	mm
Magnet Weight	826	g
Flux Density.....	1.00	T
Weight.....	3.00	Kg

THIELE-SMALL PARAMETERS

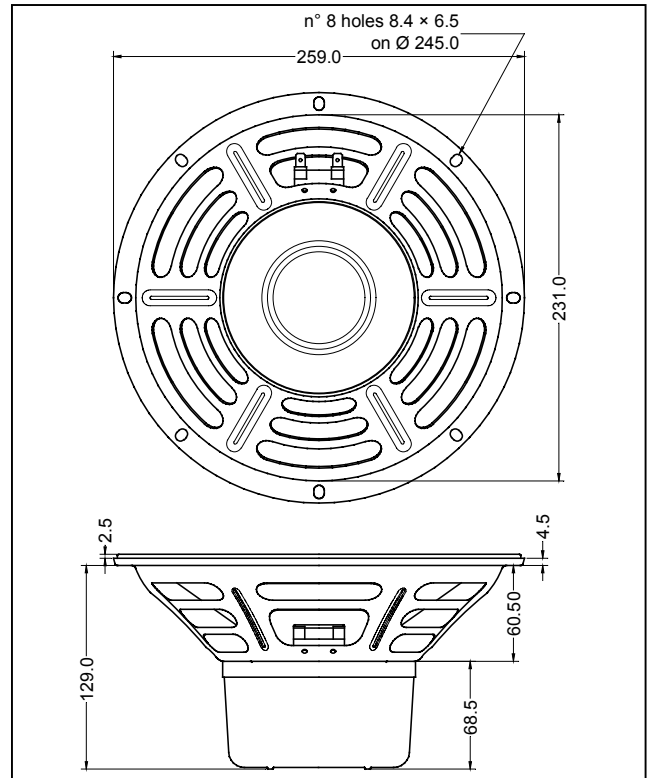
Voice Coil DC Resistance	R_E	5.97	Ω
Resonance Frequency	f_s	112.1	Hz
Mechanical Q Factor.....	Q_{MS}	14.73	
Electrical Q Factor.....	Q_{ES}	0.85	
Total Q Factor	Q_{TS}	0.80	
Mechanical Moving Mass	M_{MS}	22.0	g
Mechanical Compliance	C_{MS}	90	μm/N
Force Factor	$B \times l$	10.45	Wb/m
Equivalent Acoustic Volume.....	V_{AS}	14.1	lt.
Maximum Linear Displacement	X_{MAX}	+/-1.0	mm
Reference Efficiency	η_0	2.26	%
Diaphragm Area	S_D	330.0	cm ²
Losses Electrical Resistance.....	R_{ES}	103.9	Ω
Voice Coil Inductance @ 1kHz	L_E	0.79	mH

CONSTRUCTIVE CHARACTERISTICS

Magnet.....	AlNiCo
Voice Coil Winding.....	Aluminium
Voice Coil Former.....	Kapton
Cone	Paper
Surround.....	Paper - Integrated
Dust Dome	Non Treated Cloth
Basket	Pressed Sheet Steel

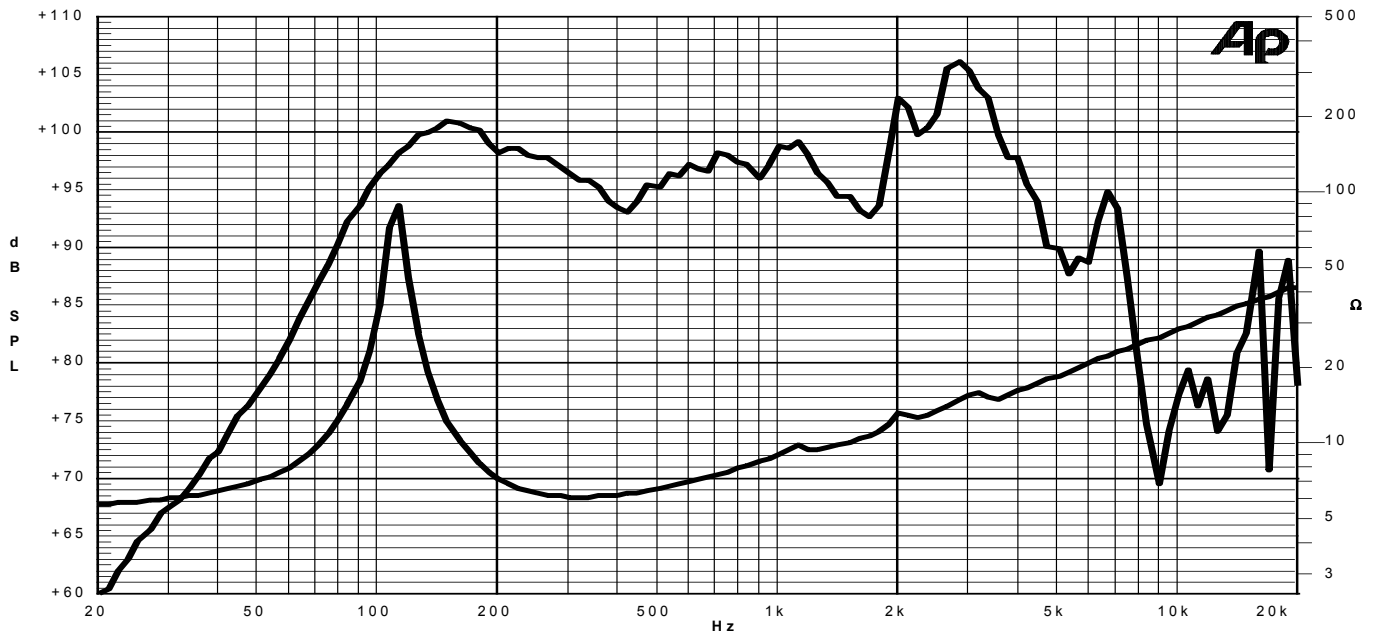
ELECTRICAL CHARACTERISTICS

Nominal Impedance.....	8	Ω
Musical Power	200	W
Rated Power*	100	W
Sensitivity @ 1 W, 1 m	97.0	dB



*rated power measured with 2 hours test with pink noise signal, 6 dB crest factor, loudspeaker mounted on enclosure
Thiele-Small parameters measured with I ASFR system

Frequency Response on IEC Baffle (DIN 45575) @ 1 W, 1 m - Impedance



Due to continuing product improvement, the features and the design are subject to change without notice.

15/02/07