

## 8" - 70W Ceramic Guitar Loudspeaker

CH 8/35 - 8 Ω

Code ZJ04100

### GENERAL CHARACTERISTICS

Nominal Overall Diameter .....	207	mm
Nominal Voice Coil Diameter .....	25	mm
Magnet Weight .....	270	g
Flux Density.....	1.10	T
Weight.....	0.95	Kg

### THIELE-SMALL PARAMETERS

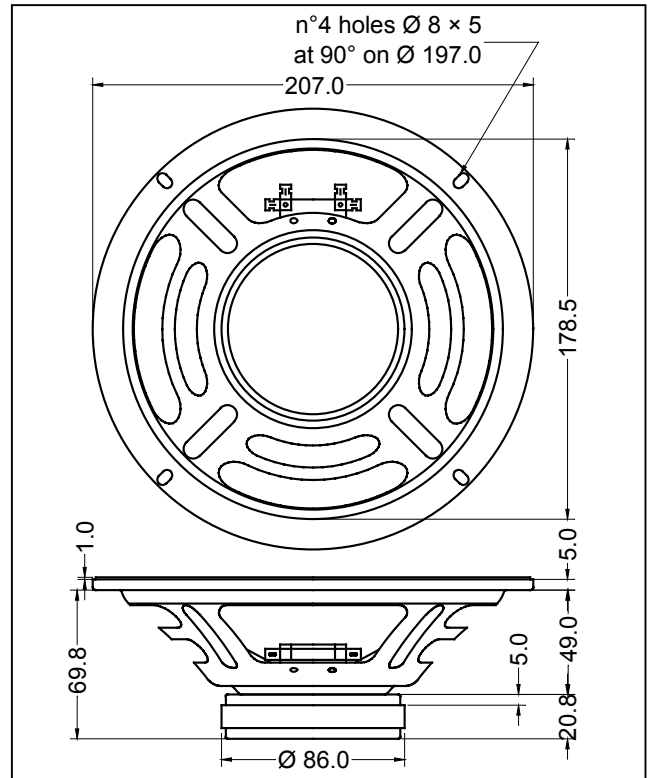
Voice Coil DC Resistance .....	$R_E$	6.50	Ω
Resonance Frequency .....	$f_s$	136.0	Hz
Mechanical Q Factor.....	$Q_{MS}$	17.18	
Electrical Q Factor.....	$Q_{ES}$	1.33	
Total Q Factor .....	$Q_{TS}$	1.23	
Mechanical Moving Mass .....	$M_{MS}$	9.5	g
Mechanical Compliance .....	$C_{MS}$	144	μm/N
Force Factor .....	$B \times l$	6.23	Wb/m
Equivalent Acoustic Volume.....	$V_{AS}$	9.3	lt.
Maximum Linear Displacement ....	$X_{MAX}$	+/-0.5	mm
Reference Efficiency .....	$\eta_0$	1.70	%
Diaphragm Area .....	$S_D$	213.8	cm <sup>2</sup>
Losses Electrical Resistance.....	$R_{ES}$	82.0	Ω
Voice Coil Inductance @ 1kHz .....	$L_E$	0.66	mH

### CONSTRUCTIVE CHARACTERISTICS

Magnet.....	Ferrite
Voice Coil Winding.....	Copper
Voice Coil Former.....	Epotex
Cone .....	Paper
Surround.....	Paper - Integrated
Dust Dome .....	Non Treated Cloth
Basket .....	Pressed Sheet Steel

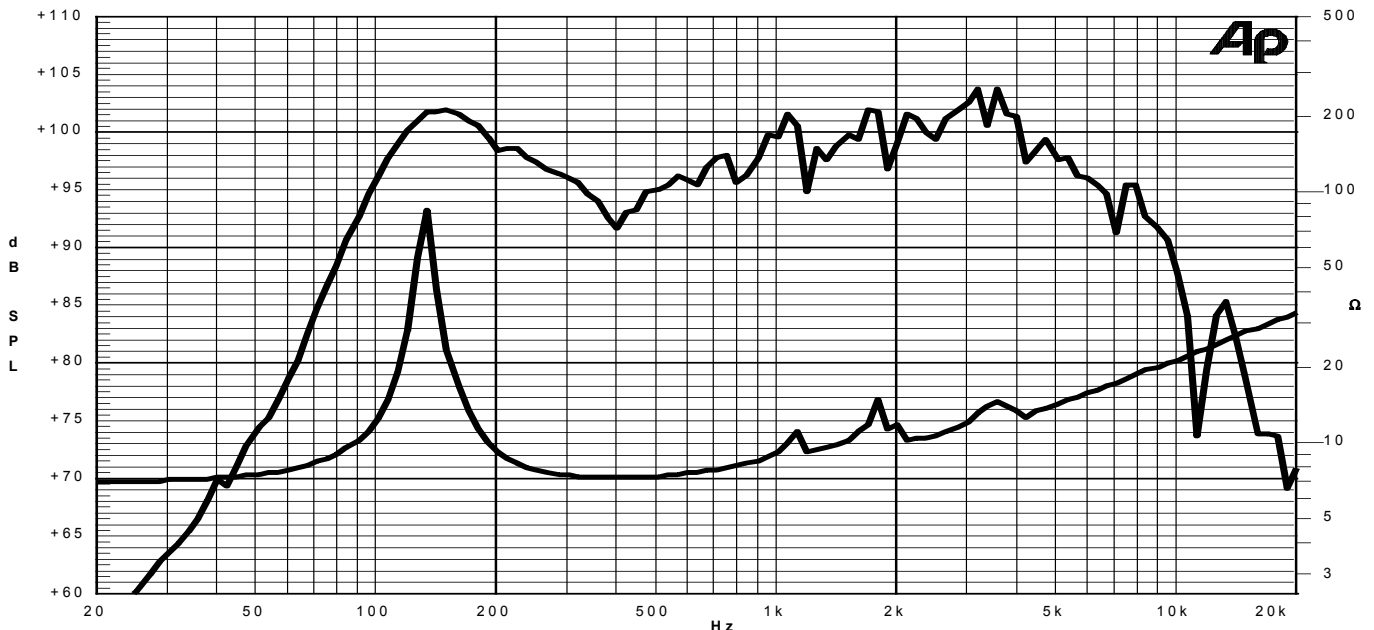
### ELECTRICAL CHARACTERISTICS

Nominal Impedance.....	8	Ω
Musical Power .....	70	W
Rated Power* .....	35	W
Sensitivity @ 1 W, 1 m .....	95.3	dB



\*rated power measured with 2 hours test with pink noise signal, 6 dB crest factor, loudspeaker mounted on enclosure

Frequency Response on IEC Baffle (DIN 45575) @ 1 W, 1 m - Impedance



Due to continuing product improvement, the features and the design are subject to change without notice.

04/10/05